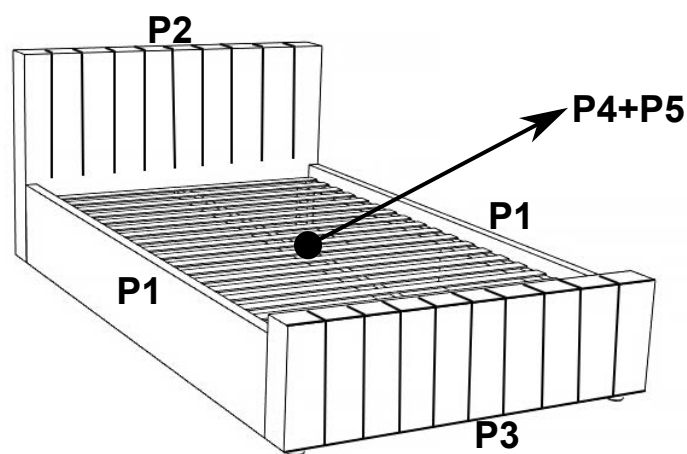
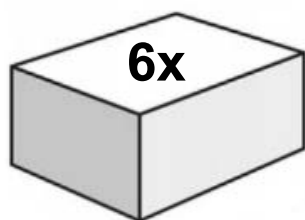
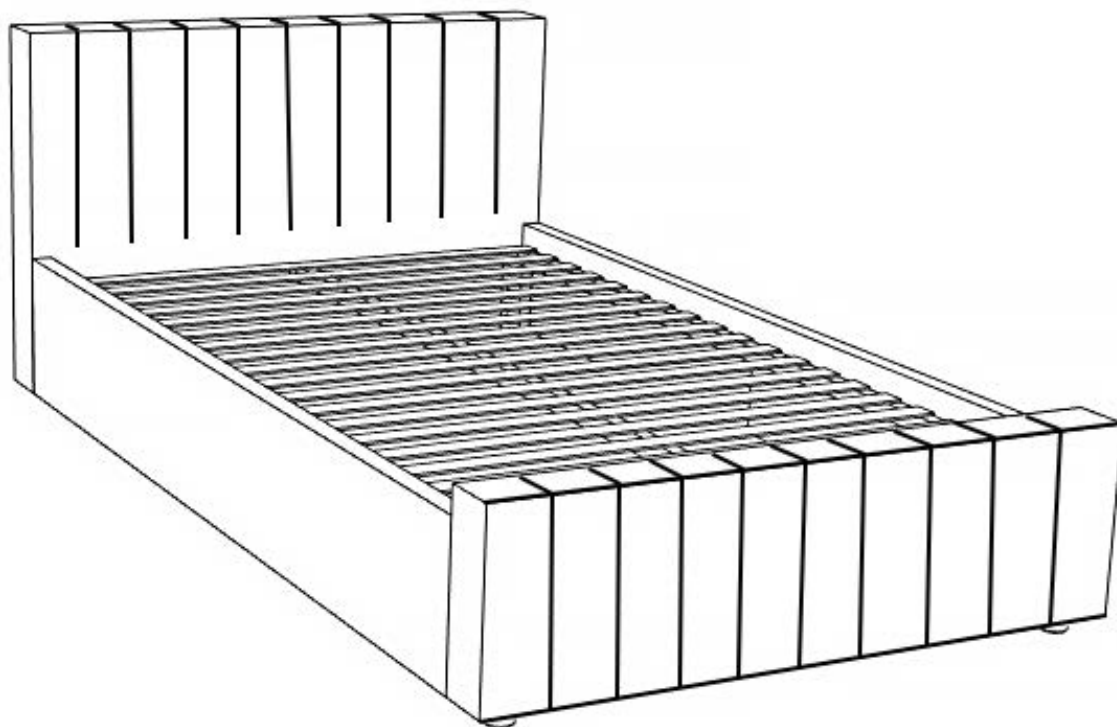
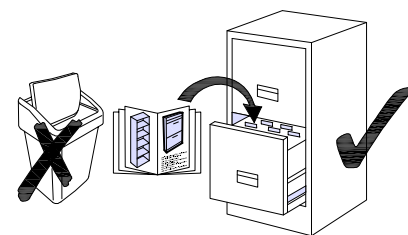




Łóżko NICOLE z pojemnikiem



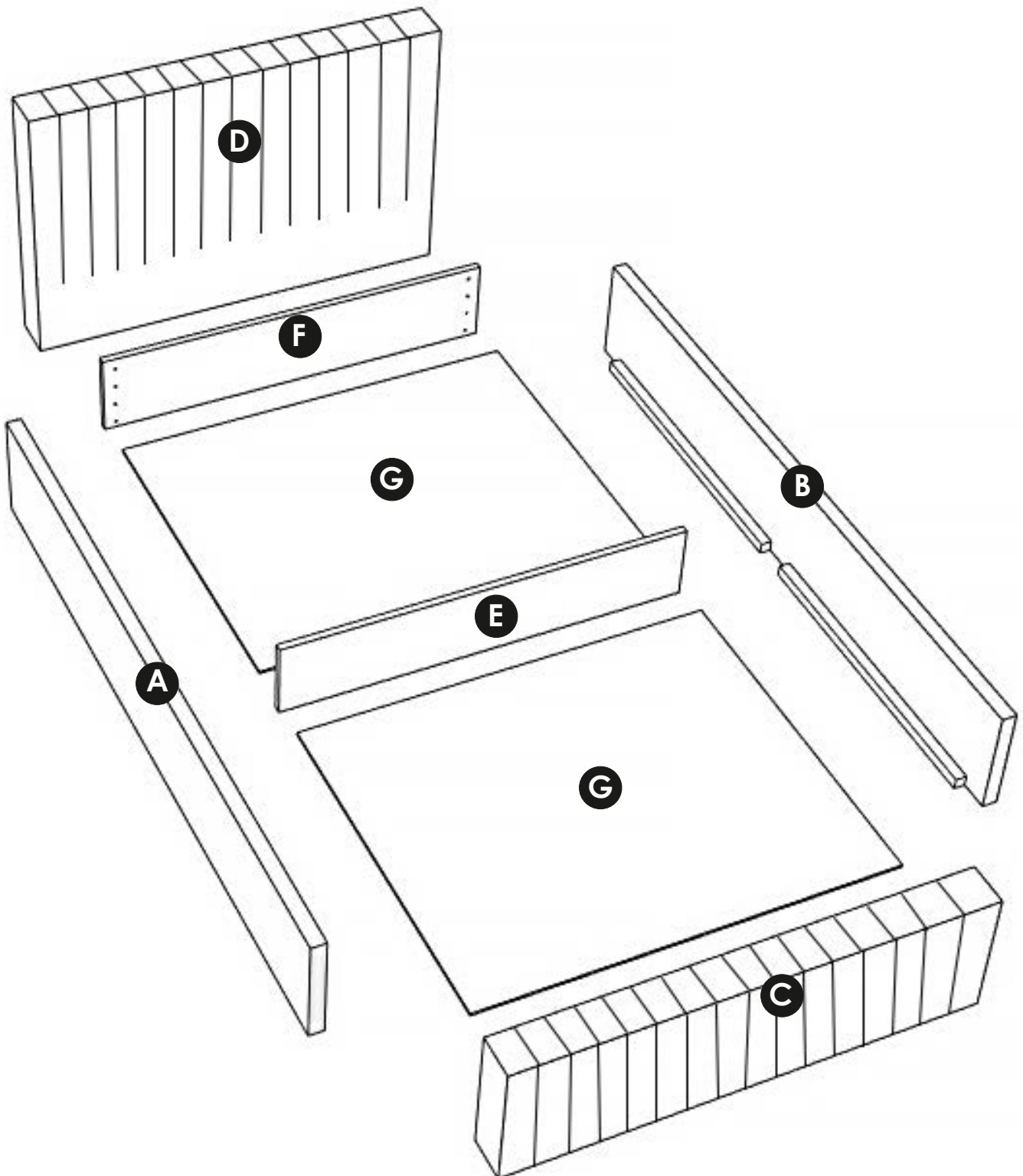
BOGART.



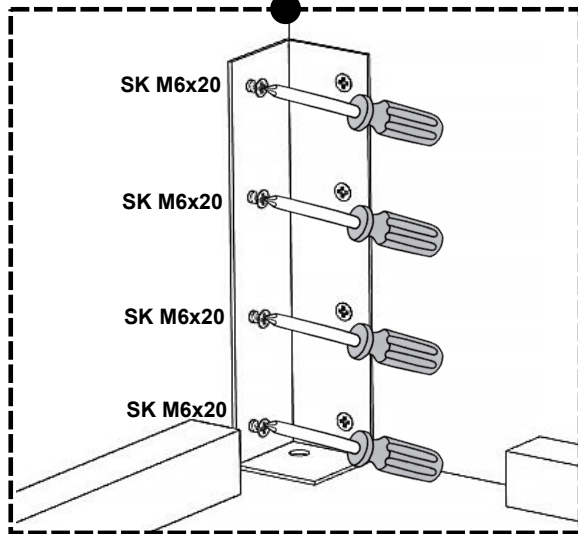
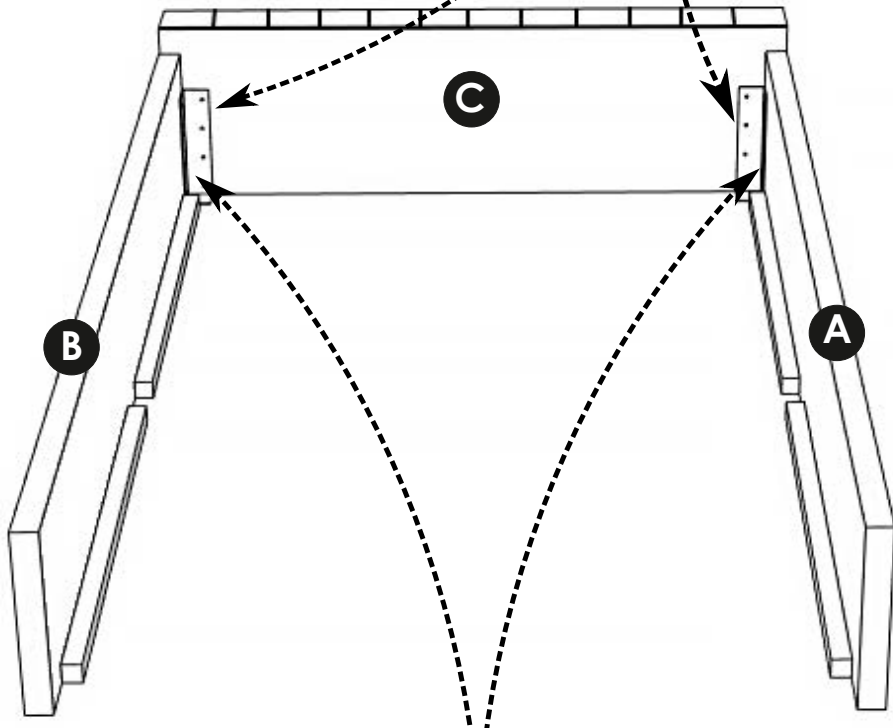
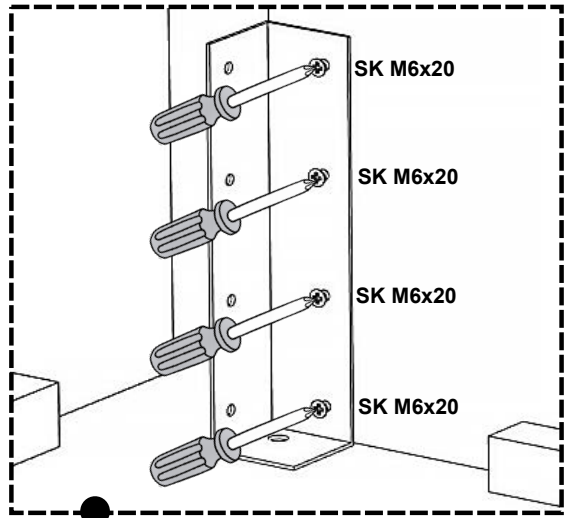
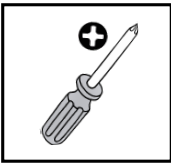
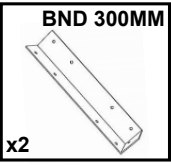
<p>NB H25</p> <p>x6</p>	<p>BND 300MM</p> <p>x4</p>	<p>BNM 127MM</p> <p>x2</p>	<p>KD L130</p> <p>x2</p>	<p>SG M6x25</p> <p>x4</p>	<p>WP 4,2x32</p> <p>x2</p>
<p>SK M6x20</p> <p>x28</p>	<p>SK M6x25</p> <p>x6</p>	<p>SK M6x30</p> <p>x4</p>	<p>SK M6x50</p> <p>x12</p>	<p>PP M6</p> <p>x8</p>	<p>NS M6</p> <p>x8</p>

P6

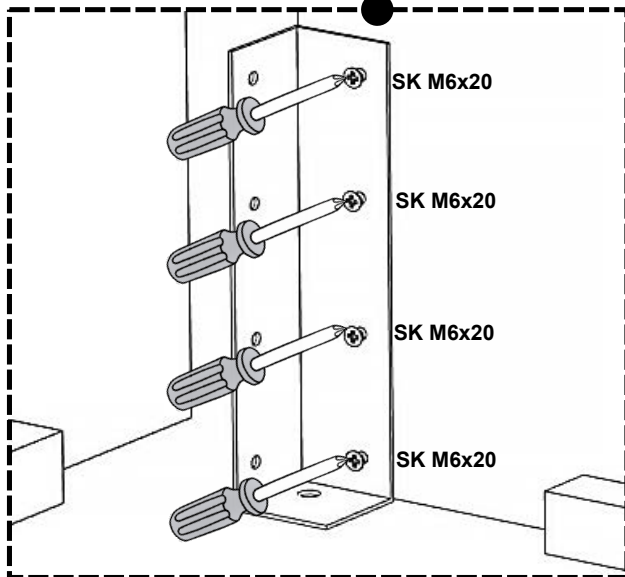
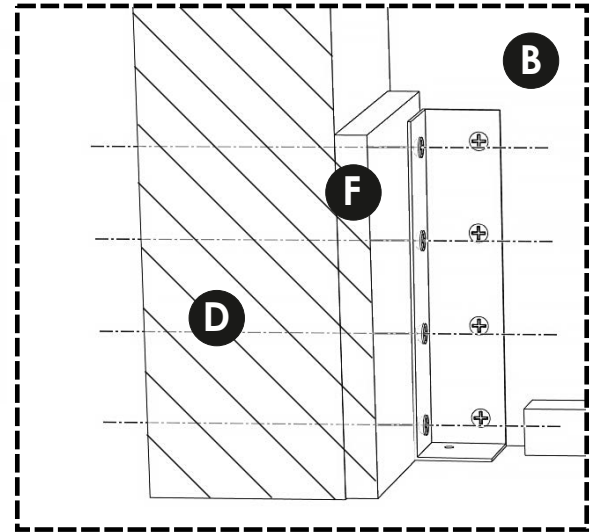
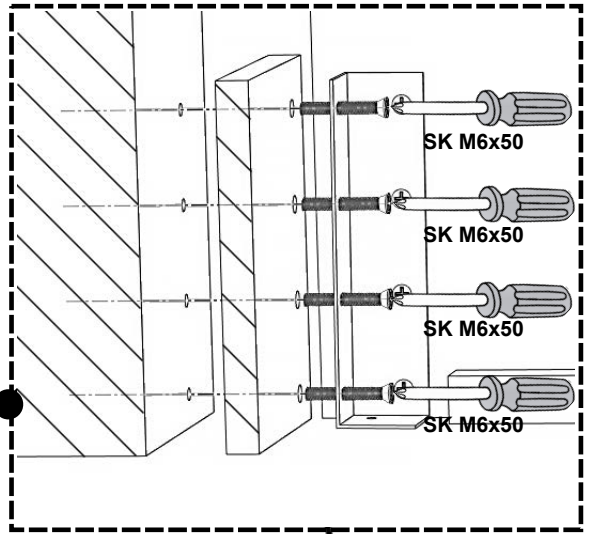
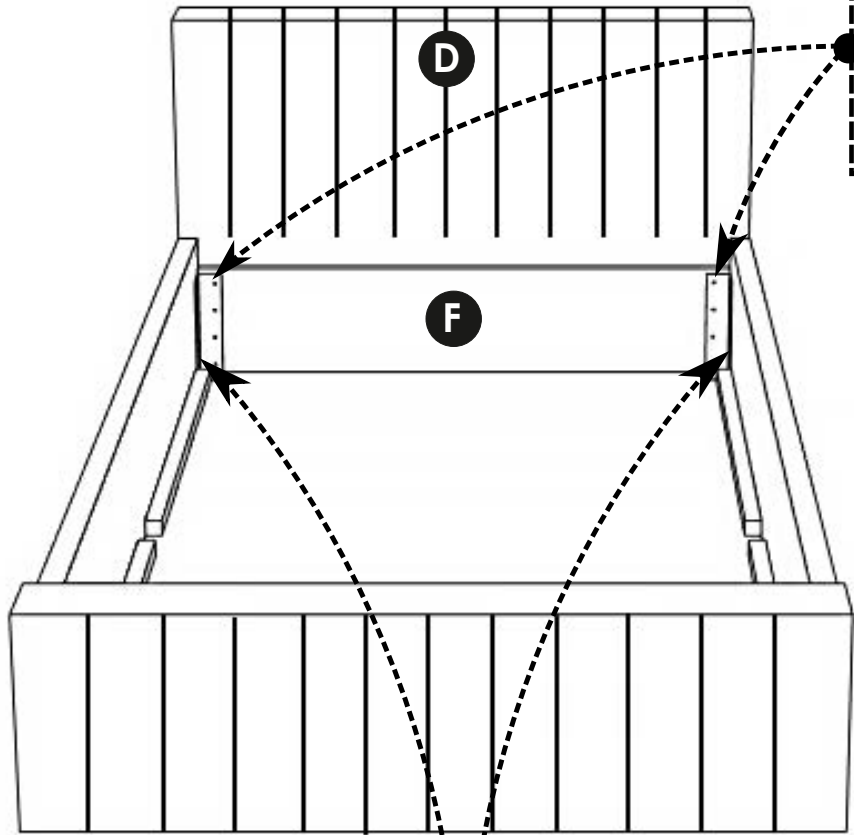
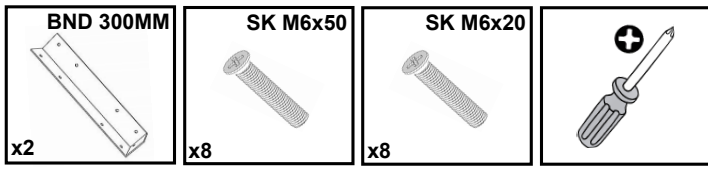
A	202 cm	33 cm	4 cm	1x
B	202 cm	33 cm	4 cm	1x
C	130/150/170/190 cm	44 cm	12 cm	1x
D	130/150/170/190 cm	104 cm	12 cm	1x
E	121/141/161/181 cm	25 cm	6 cm	1x
F	121/141/161/181 cm	25 cm	2 cm	1x
G	121/141/161/181 cm	99 cm	0,3 cm	2x



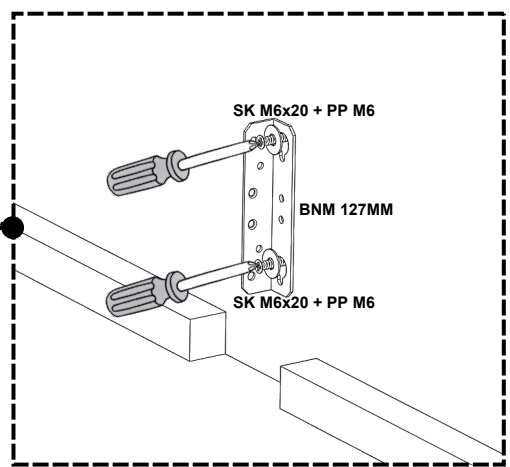
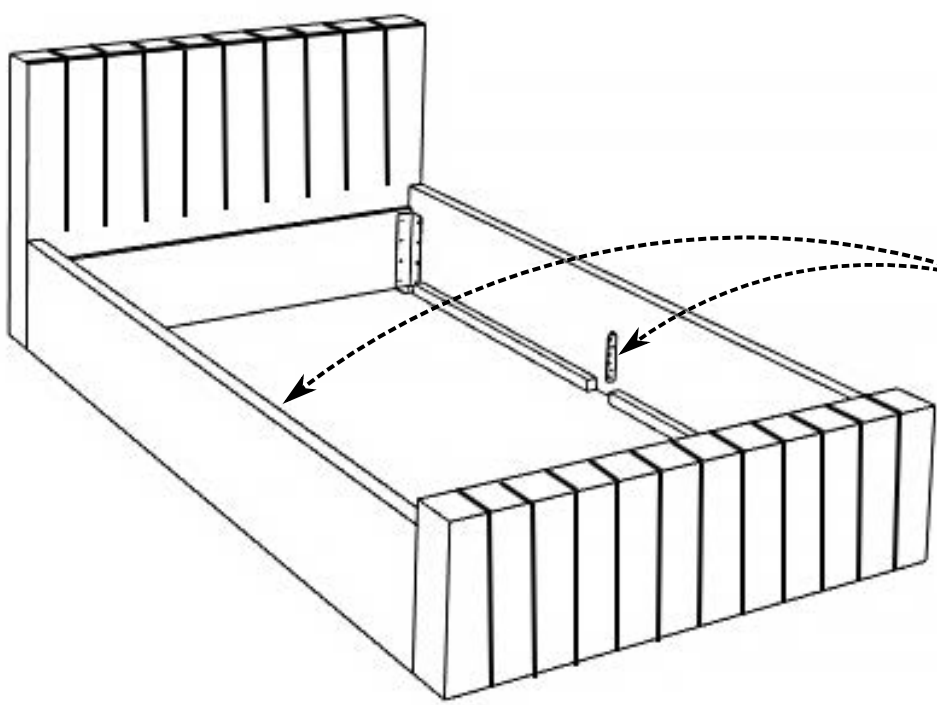
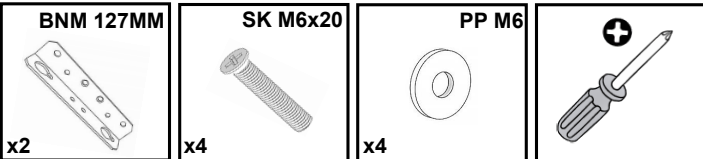
1



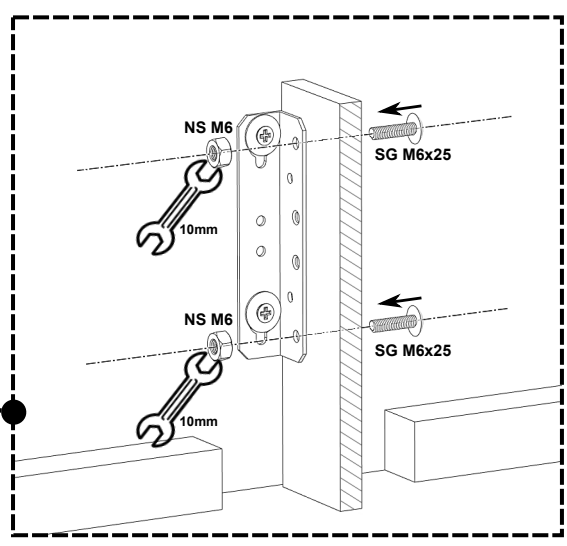
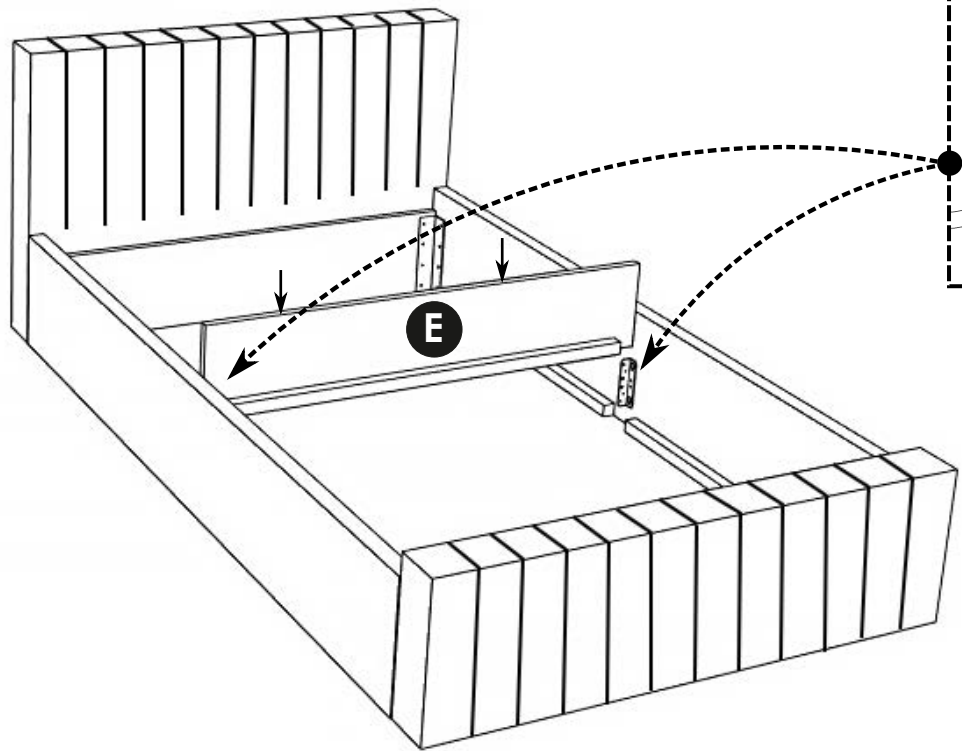
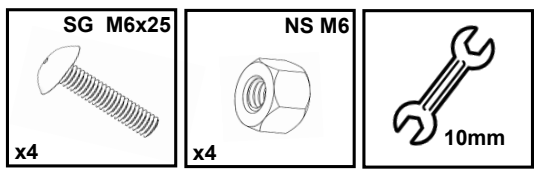
2



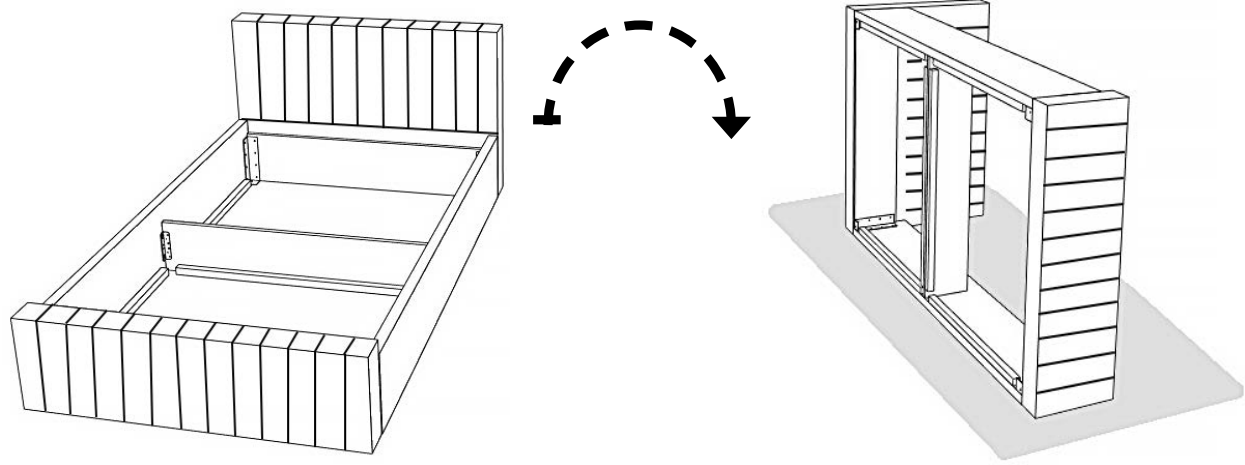
3



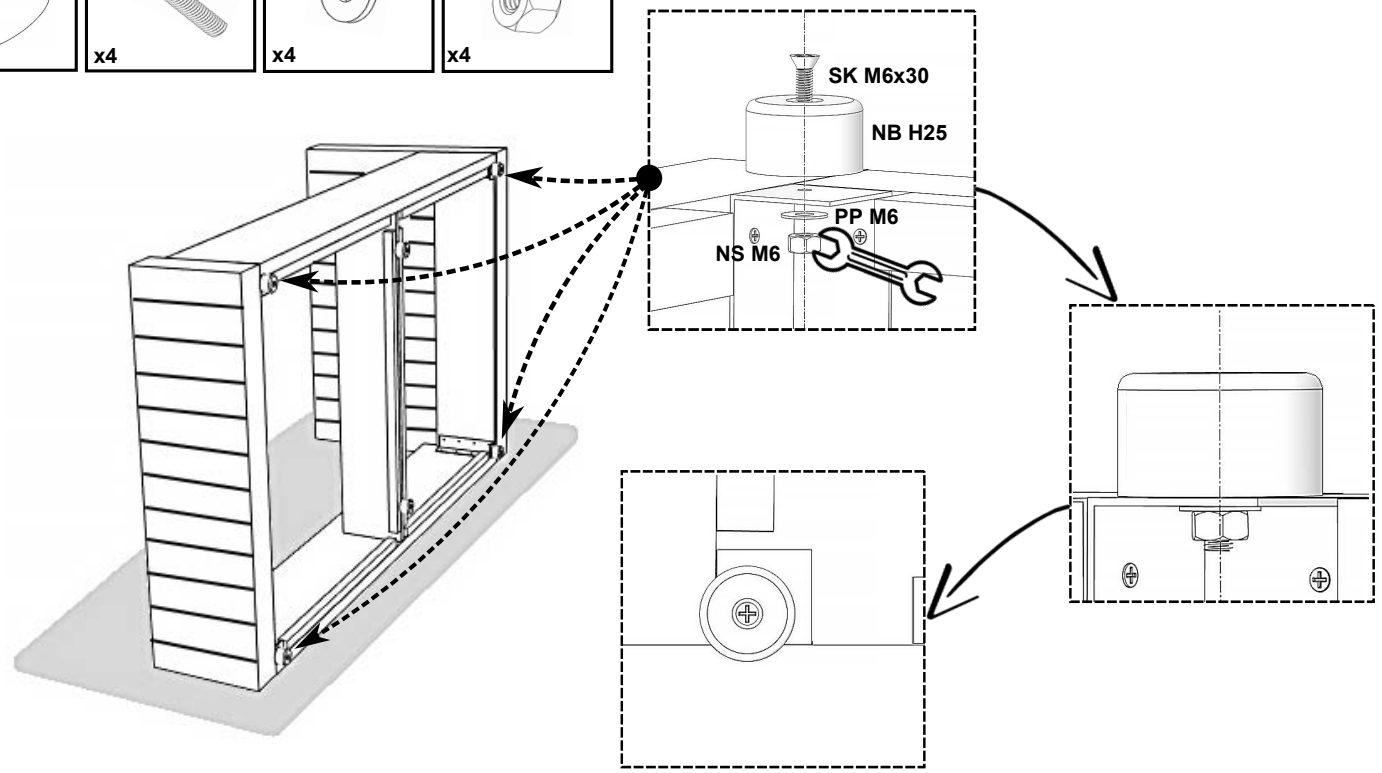
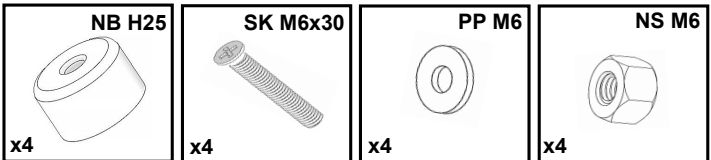
4



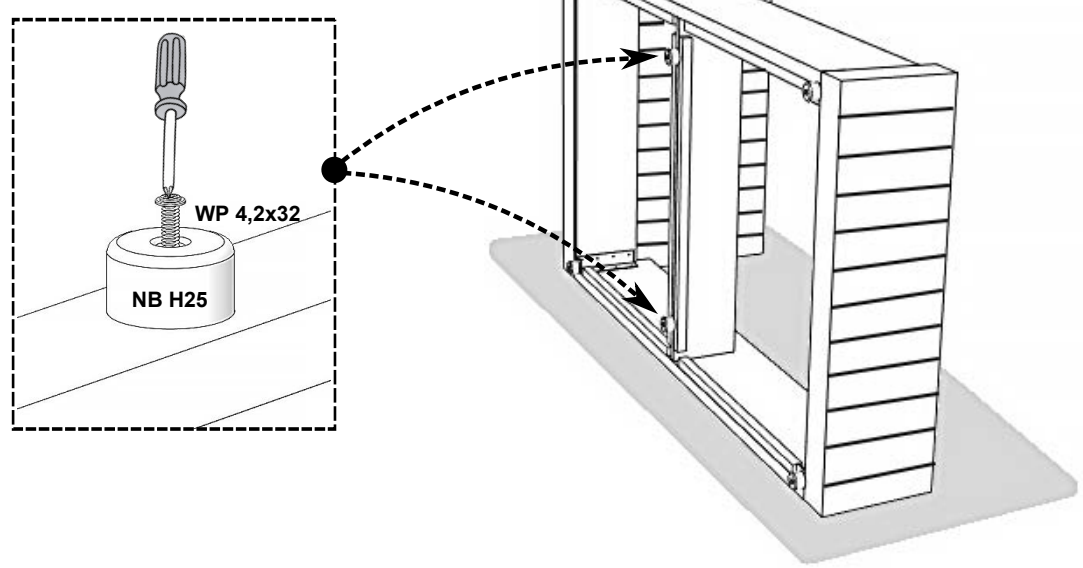
5



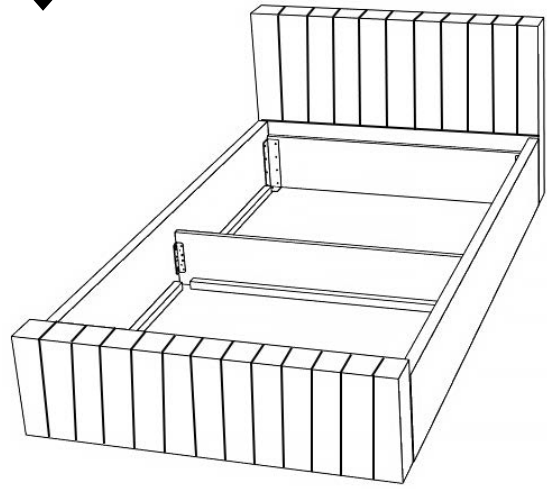
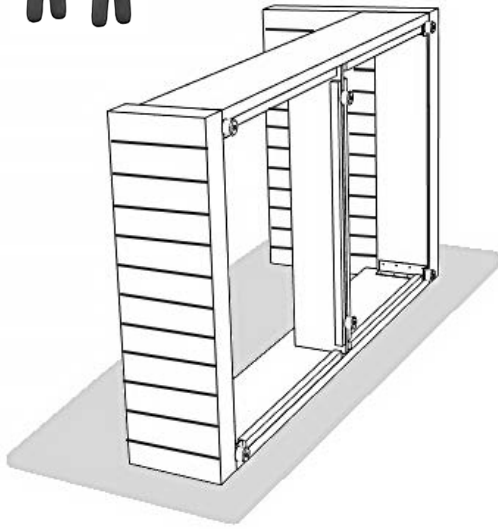
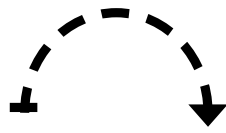
6



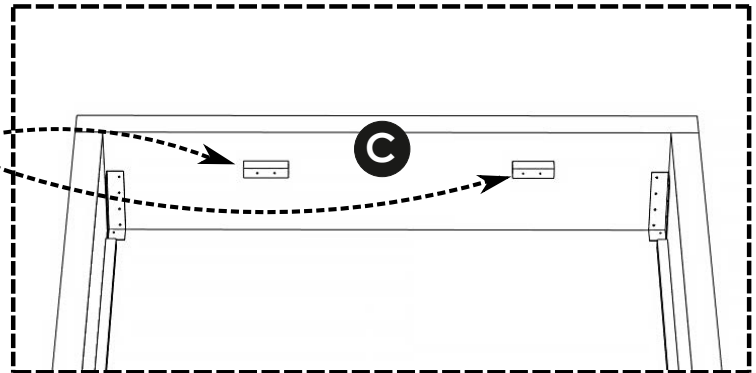
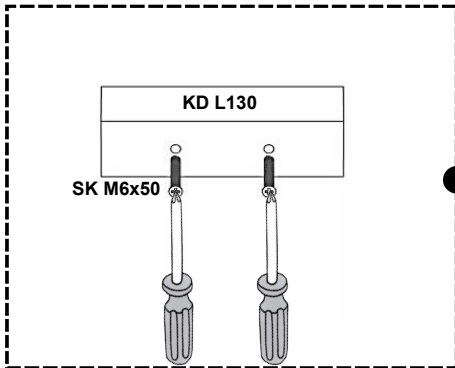
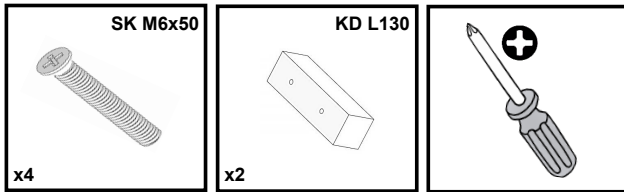
7



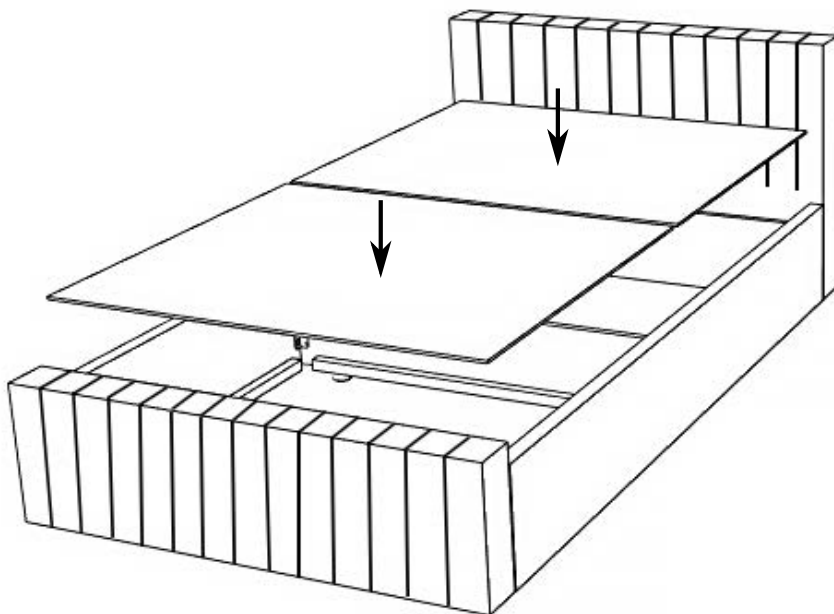
8





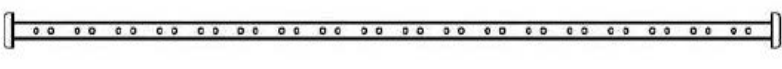

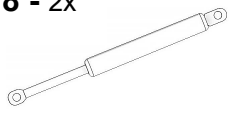


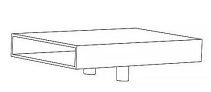
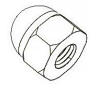

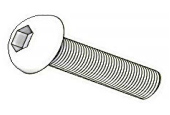

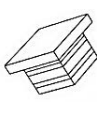
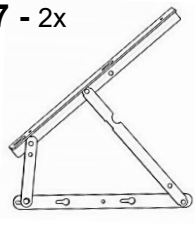
9

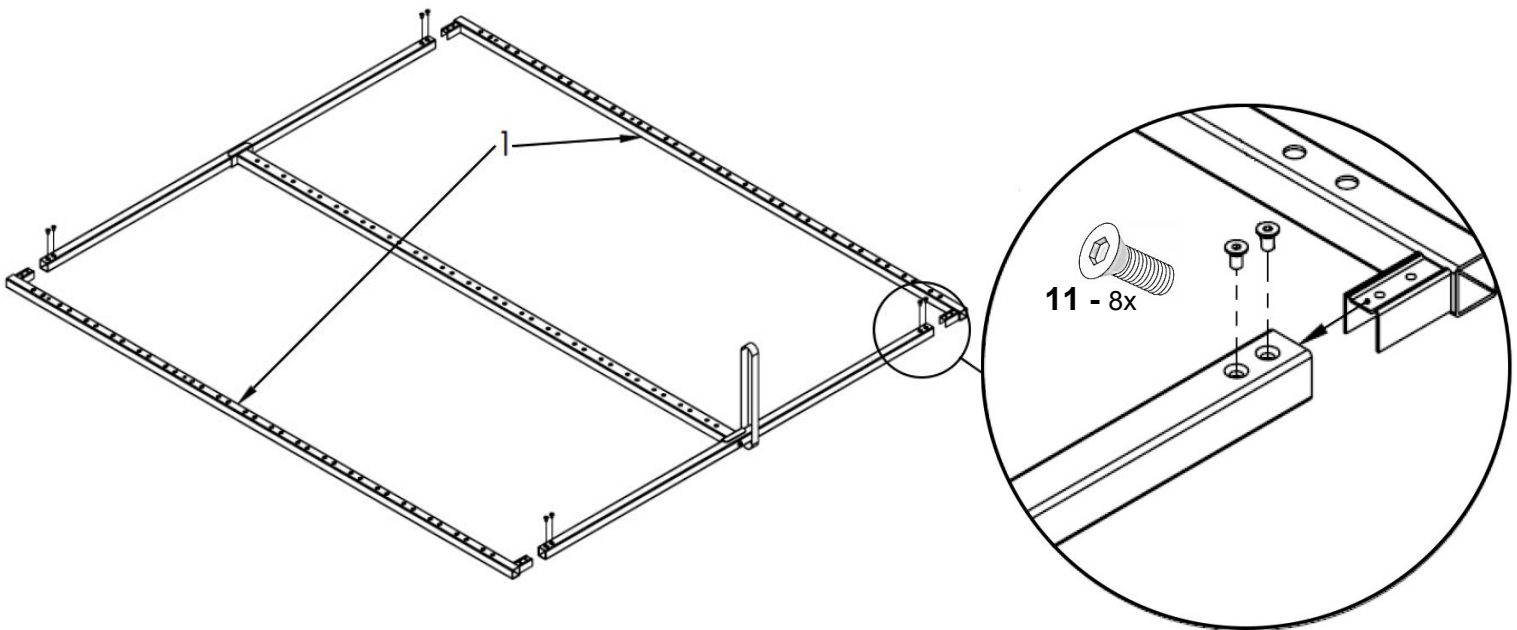
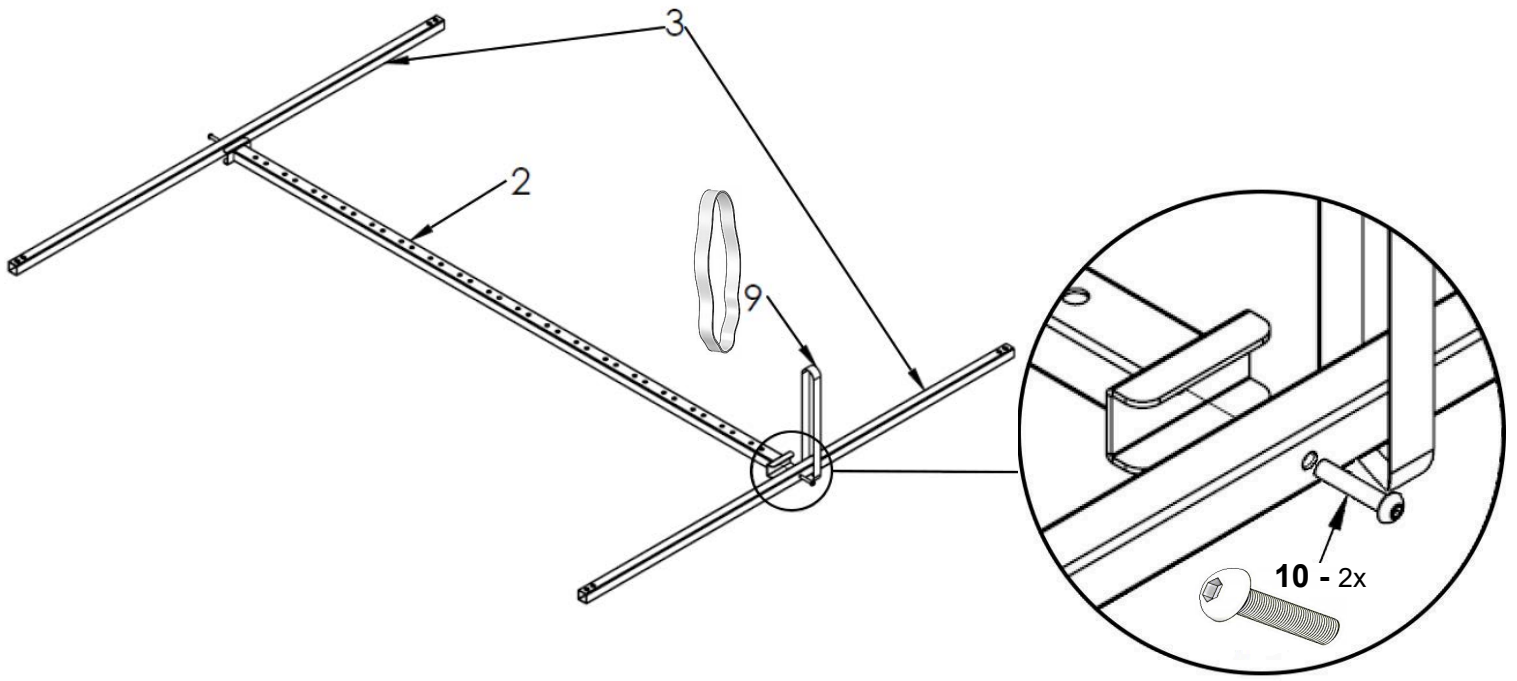


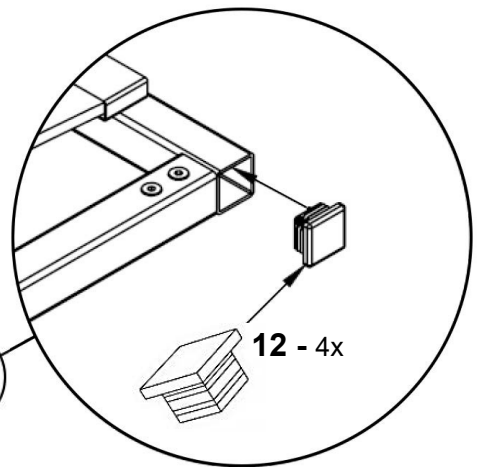
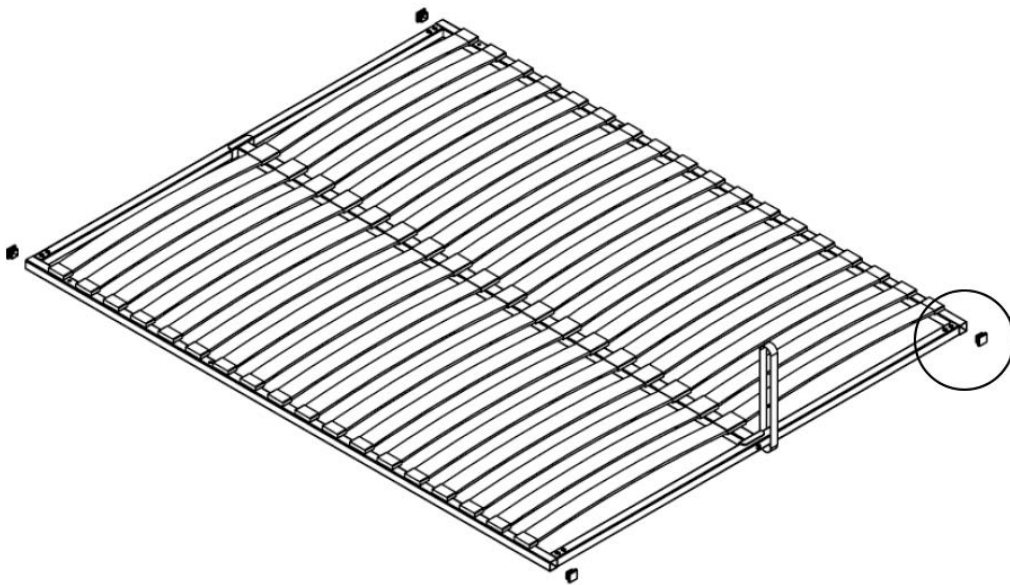
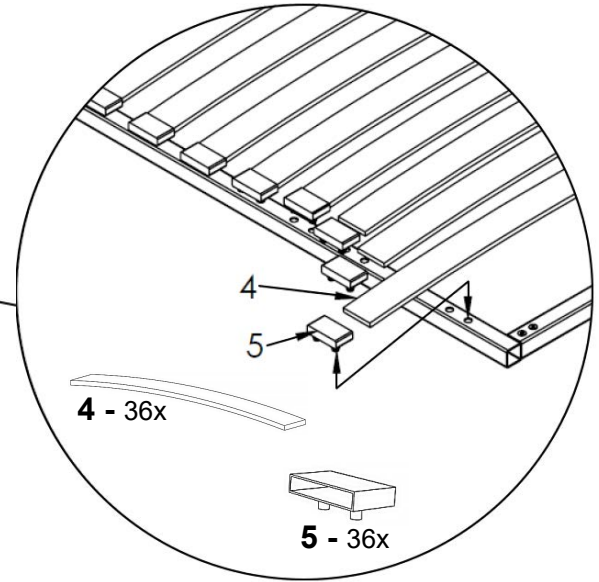
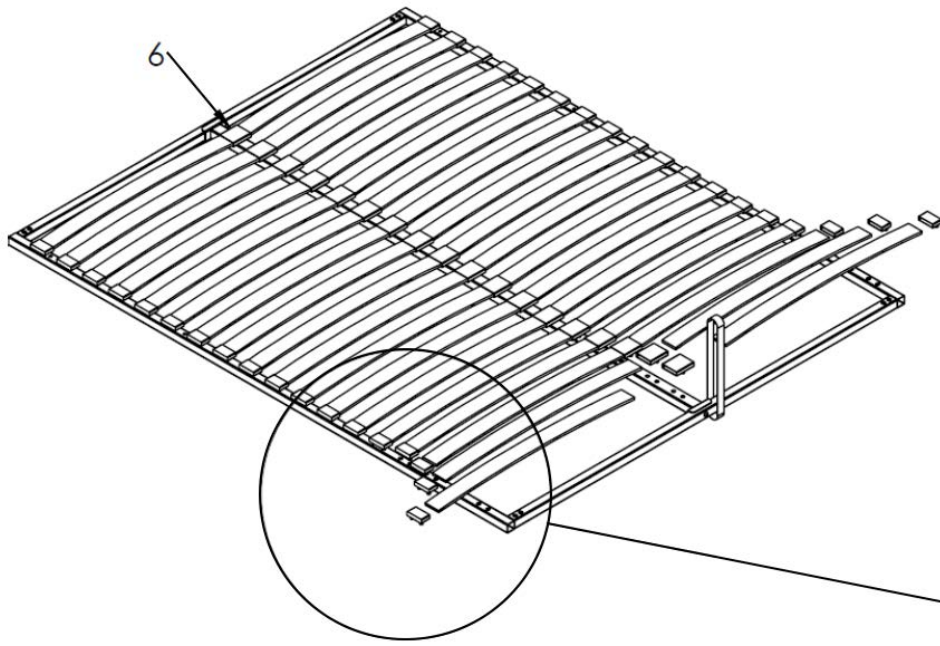
10





<p>1 - 2x</p>  <p>1980x30x30mm</p>	<p>14 - 1x</p> 			
<p>2 - 1x</p>  <p>1940x80x35mm</p>	<p>4 - 36x</p>  <p>575/675/775/875x52x8</p>	<p>8 - 2x</p> 		
<p>3 - 2x</p>  <p>1110/1310/1510/1710x30x30mm</p>	<p>5 - 36x</p> 	<p>8 - 18x</p> 	<p>13 - 4x</p> 	
<p>9 - 1x</p> 	<p>10 - 6x</p> 	<p>11 - 8x</p> 	<p>12 - 4x</p> 	<p>7 - 2x</p> 

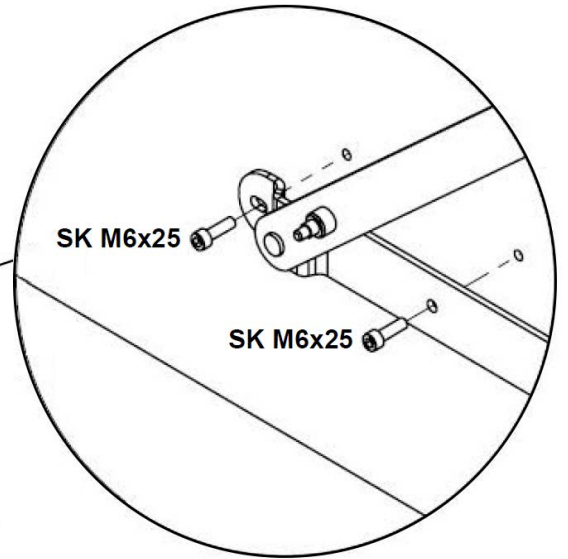
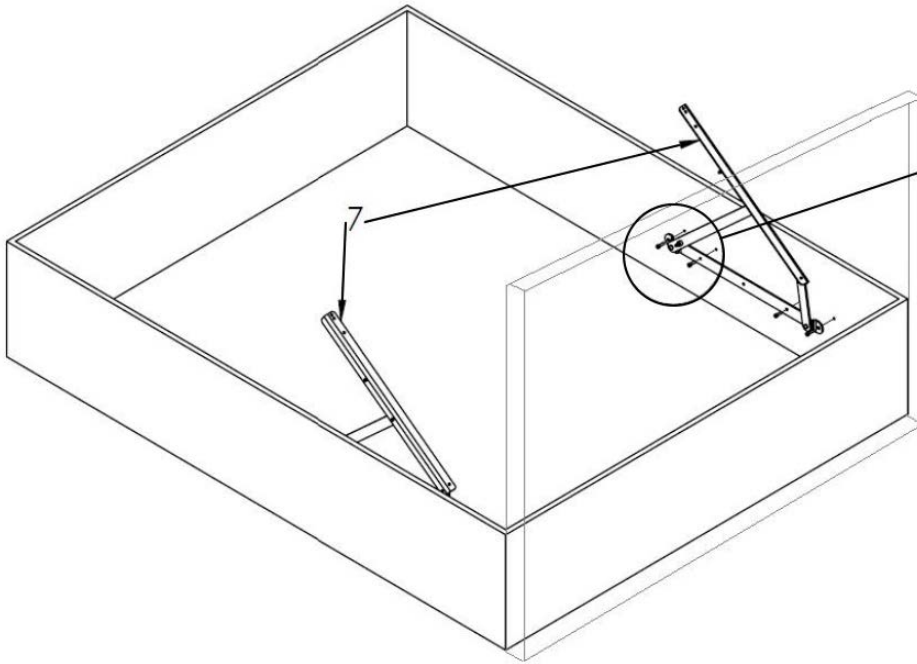




SK M6x25

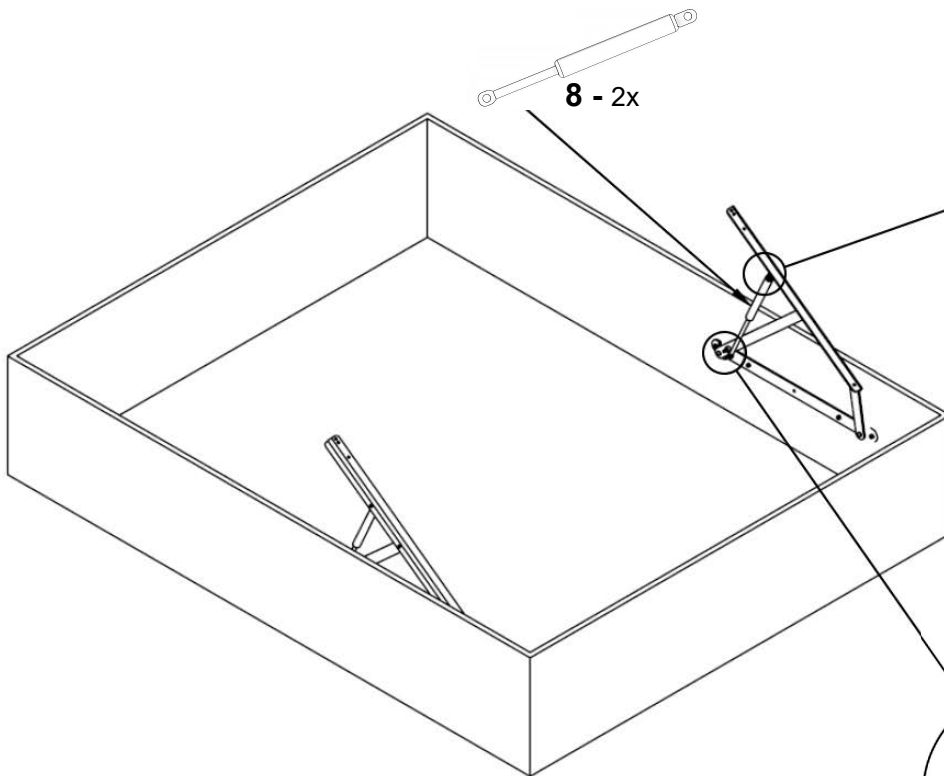


x6

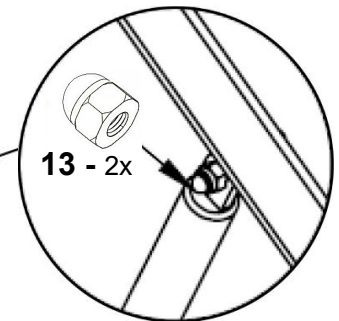


SK M6x25

SK M6x25



8 - 2x



13 - 2x

