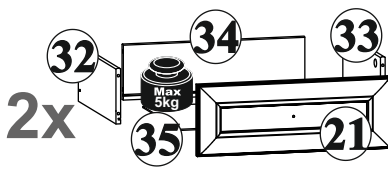
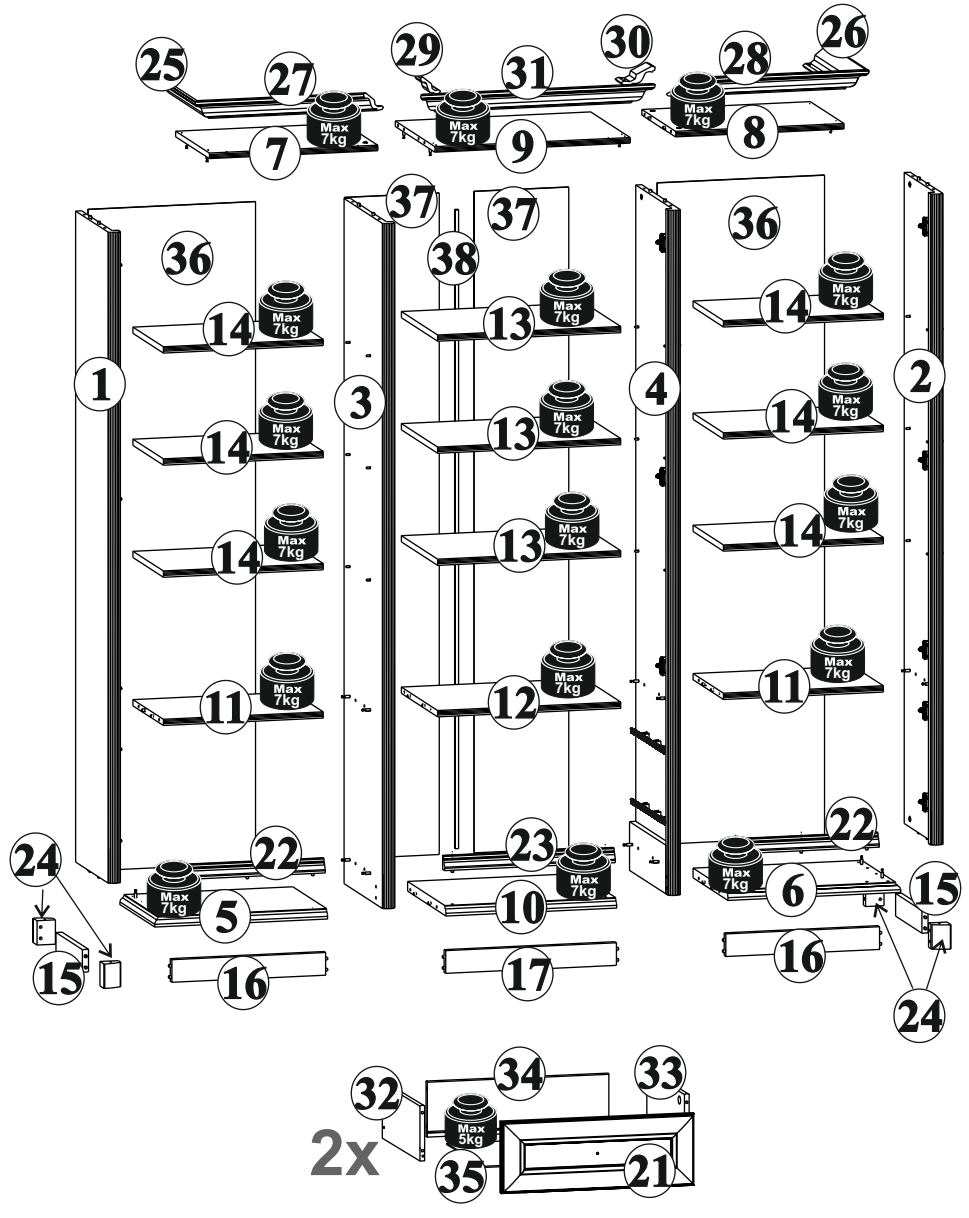
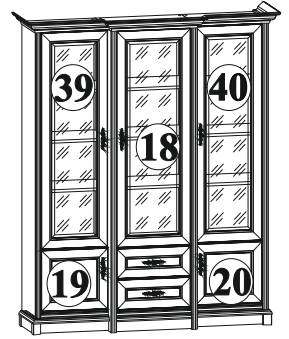
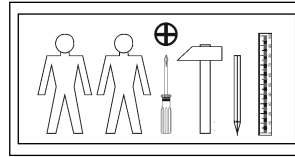
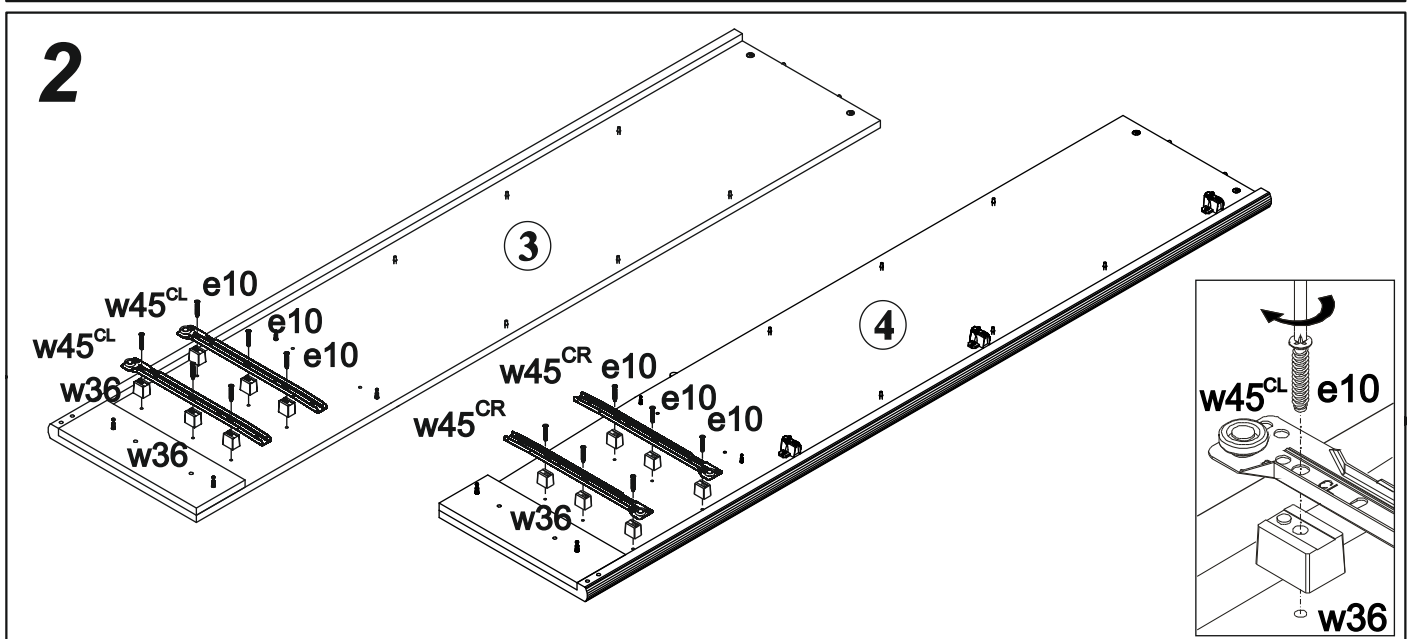
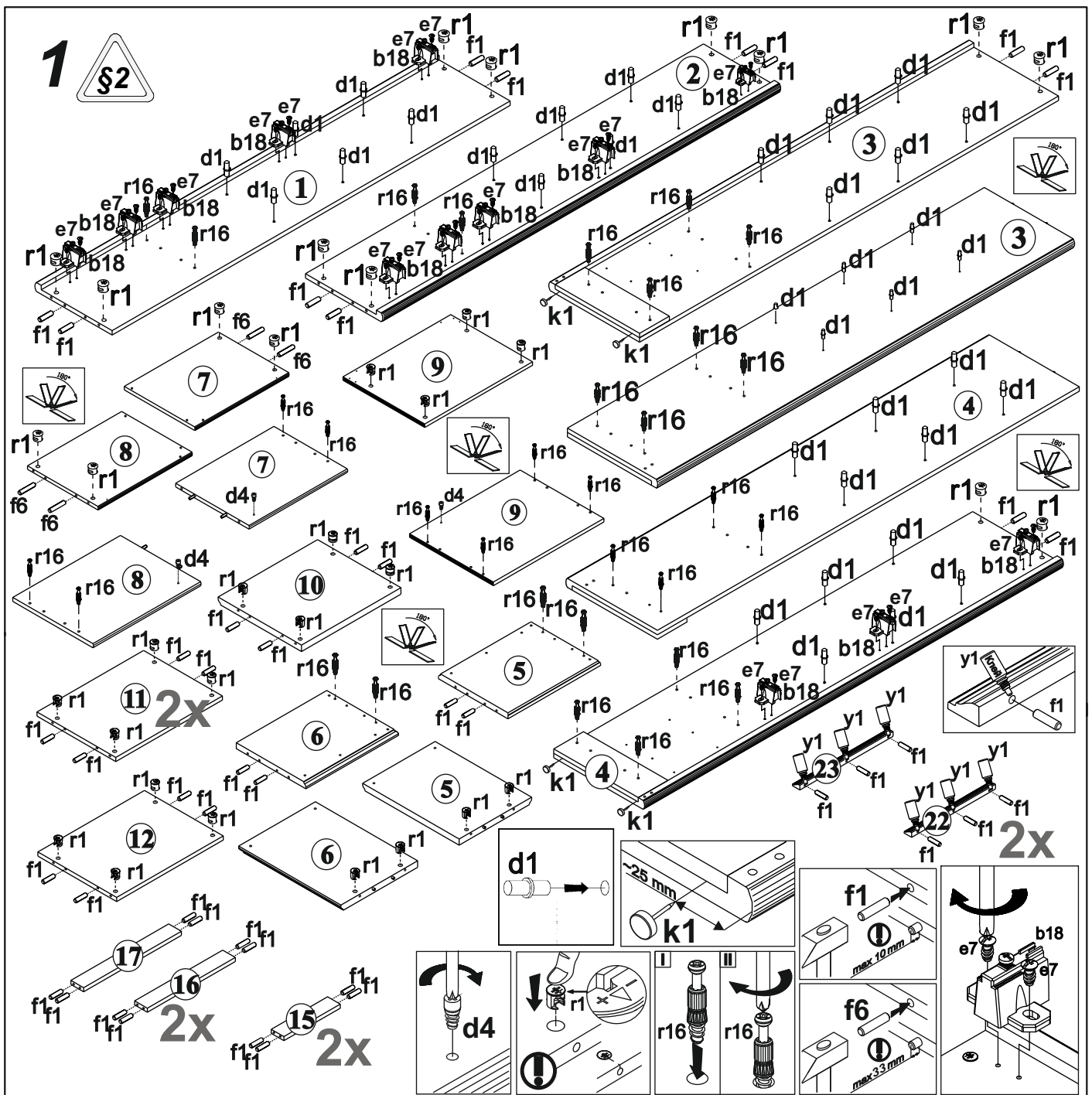


A	B	C	D	
1	KT1-107-01	1870	363	1/6
2	KT1-108-01	1870	363	1/6
3	KT1-1127-01	1963	427	1/6
4	KT1-1128-01	1963	427	1/6
5	KT1-216-01	506	380	2/6
6	KT1-217-01	506	380	2/6
7	KT1-220A-01	493	370	3/6
8	KT1-221A-01	493	370	3/6
9	KT1-222A-01	572	434	3/6
10	KT1-310	500	419	2/6
11	KT1-314	468	332	3/6
12	KT1-315	536	386	3/6
13	KT1-316	536	376	3/6
14	KT1-317	468	322	2/6
15	KT1-403	288	65	3/6
16	KT1-405	450	65	3/6
17	KT1-402	500	65	3/6
18	KT1-010	1416	495	5/6
19	KT1-024	403	445	6/6
20	KT1-025A	403	445	6/6
21	KT1-066	495	200	6/6
22	KT1-577	450	40	3/6
23	KT1-572	500	40	3/6
24	KT1-571-01	70	54	3/6
25	KT1-574	427,5	95,5	3/6
26	KT1-575	427,5	95,5	3/6
27	KT1-581	572	95,5	3/6
28	KT1-582	572	95,5	3/6
29	KT1-583	143	95,5	3/6
30	KT1-584	143	95,5	3/6
31	KT1-585	687	95,5	3/6
32	KT1-2521-01	350	140	3/6
33	KT1-2522-01	350	140	3/6
34	KT1-2520	443	140	3/6
35	KT1-959	458	349	3/6
36	KT1-918	1900	490	1/6
37	KT1-919	1900	277	1/6
38	LH-1868	1896	14	1/6
39	KT1-013	1416	445	4/6
40	KT1-014	1416	445	4/6

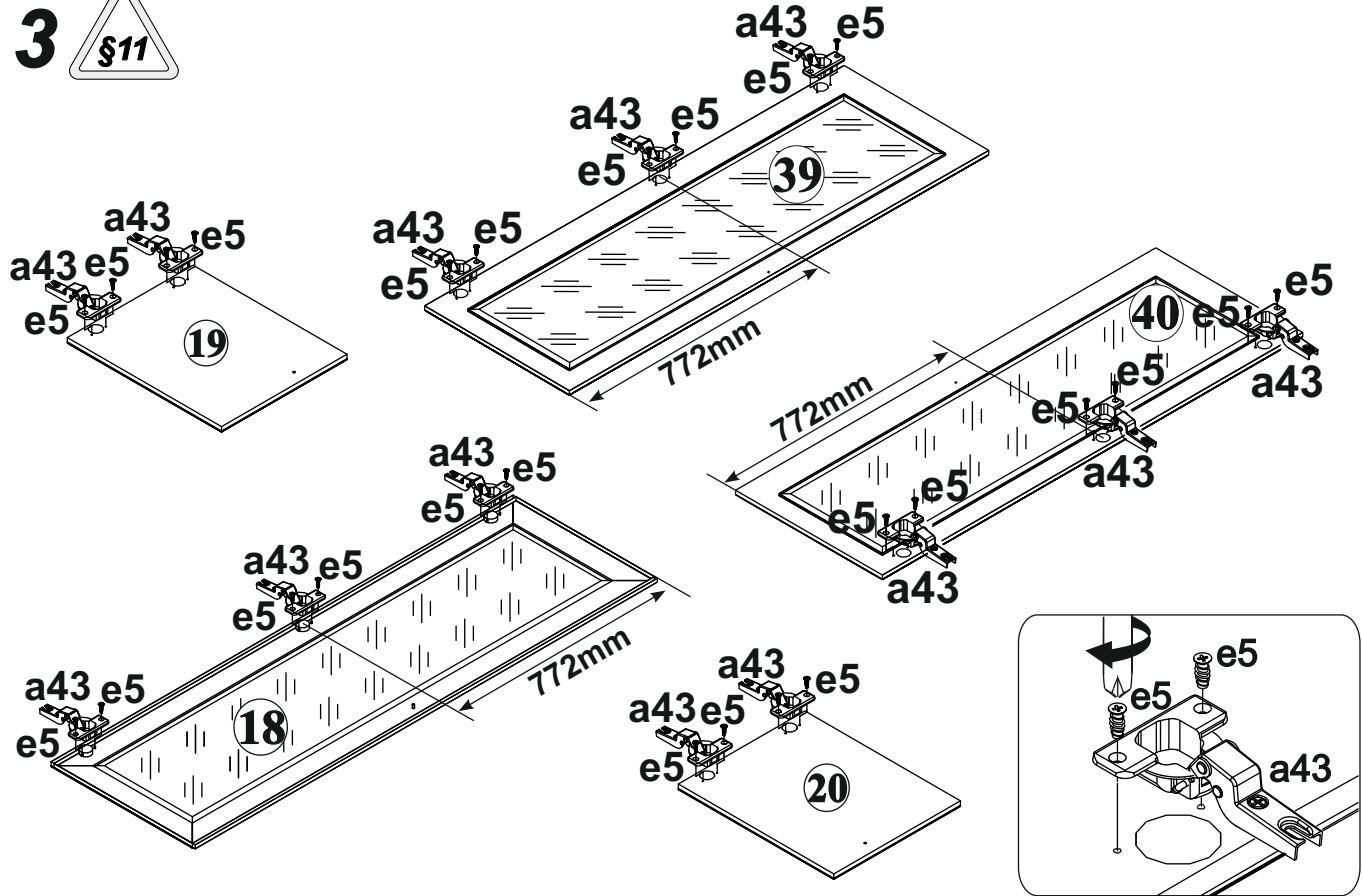


1x z1	13x a43	13x b18	7x c35 ¹	7x q40	36x φ5x17 mm d1	2x 350 mm w45DL	2x 350 mm w45DR
3x φ6x15 mm d4	26x φ6,3x13 mm e5	26x φ6,3x16 mm e7	4x φ7x60 mm e8	12x φ6,0x31 mm e10	8x φ5x50 mm e32	2x 350 mm w45CL	2x 350 mm w45CR
65x φ8x30 mm f1	4x φ8x50 mm f6	2x M4x20 mm j1	5x M4x30 mm j6	4x k1	130x l1	40x r16	40x s2
6x n40	14x φ4x22 mm p399	12x φ3x7 mm p46	8x φ3x12 mm p54	48x φ15 #16 r1	4x r10	12x w36	1x Клей y1

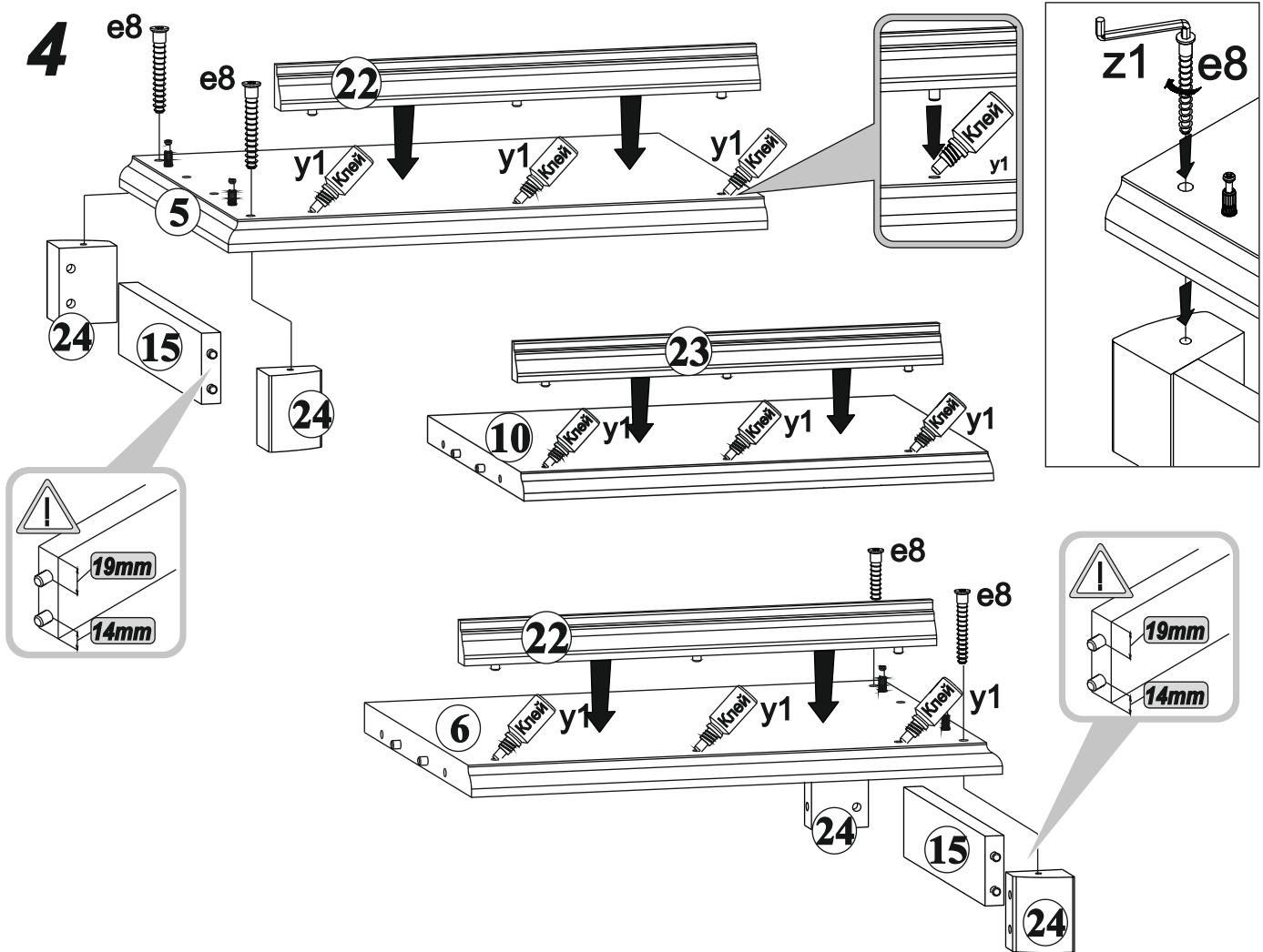


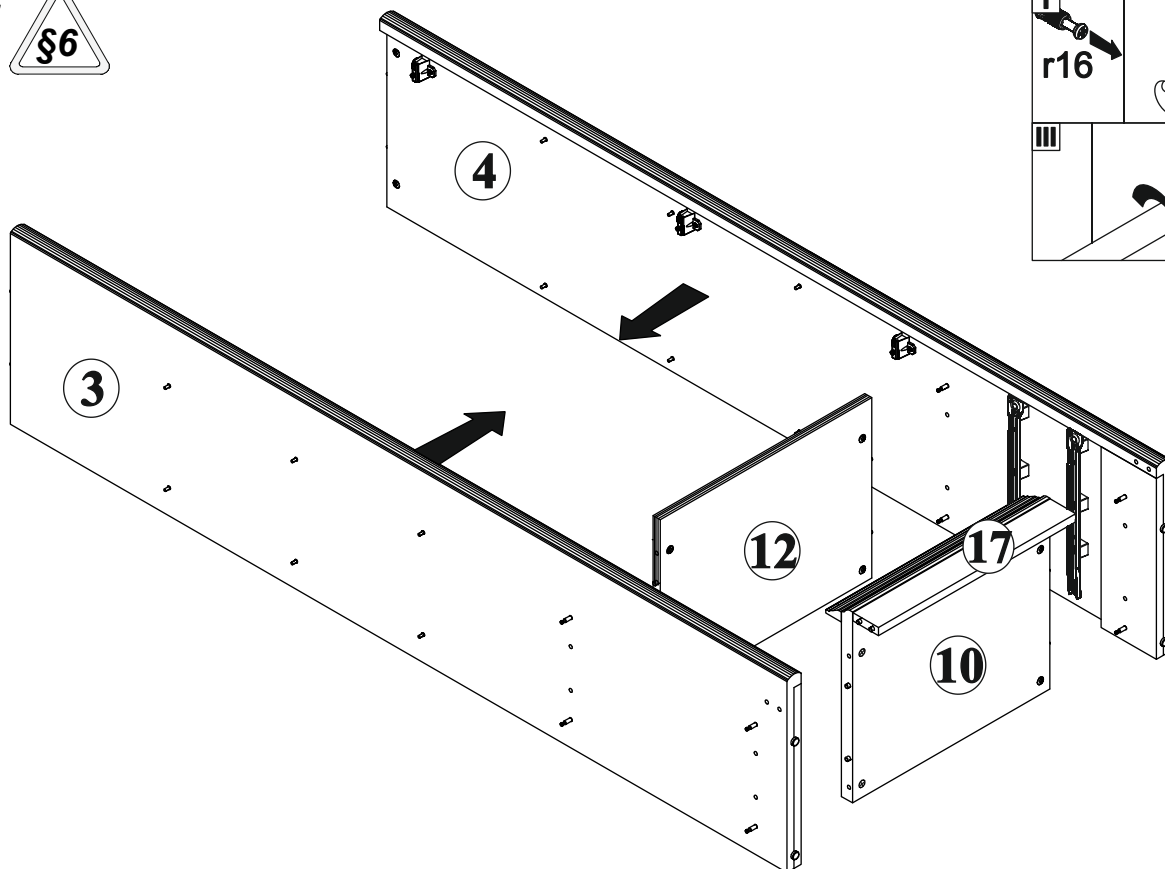
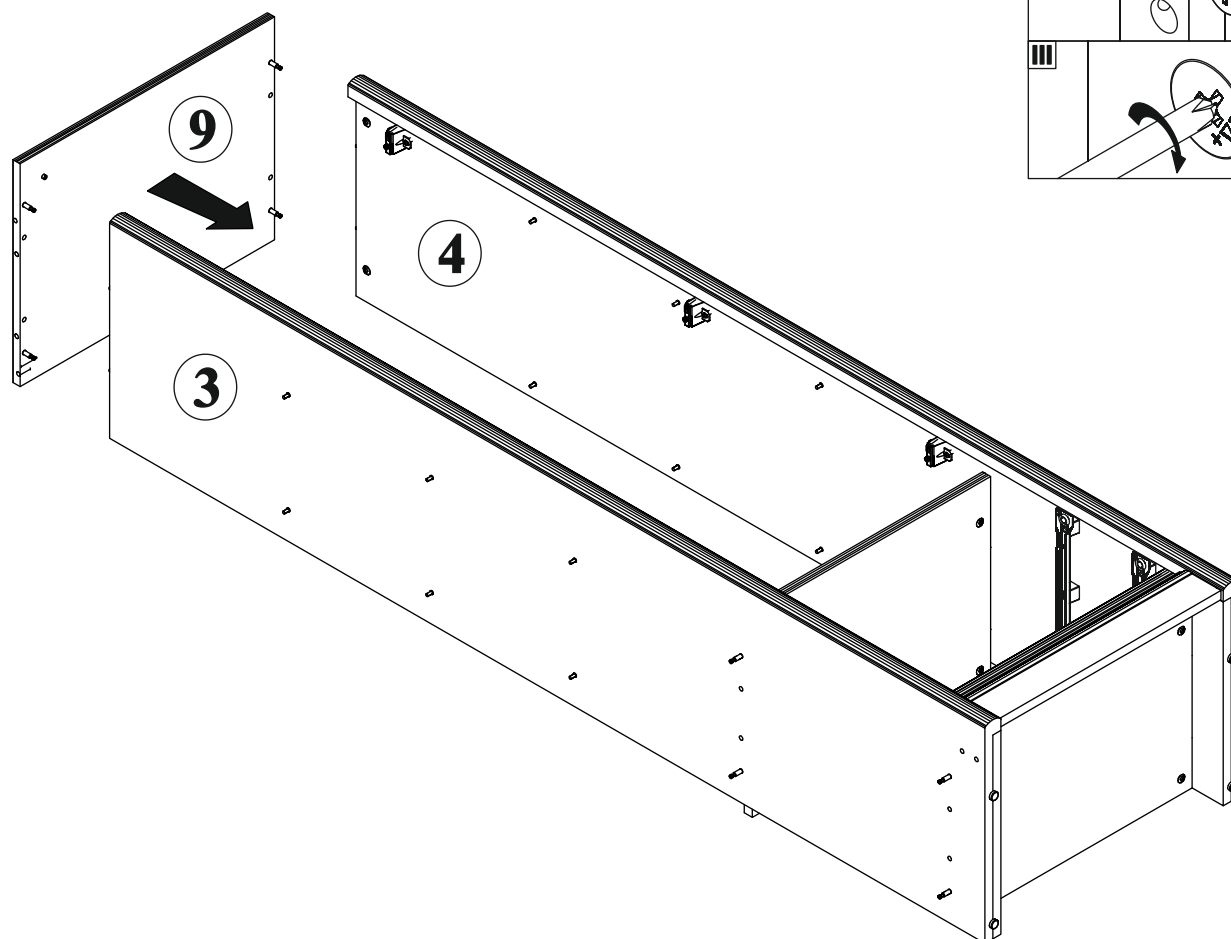
3

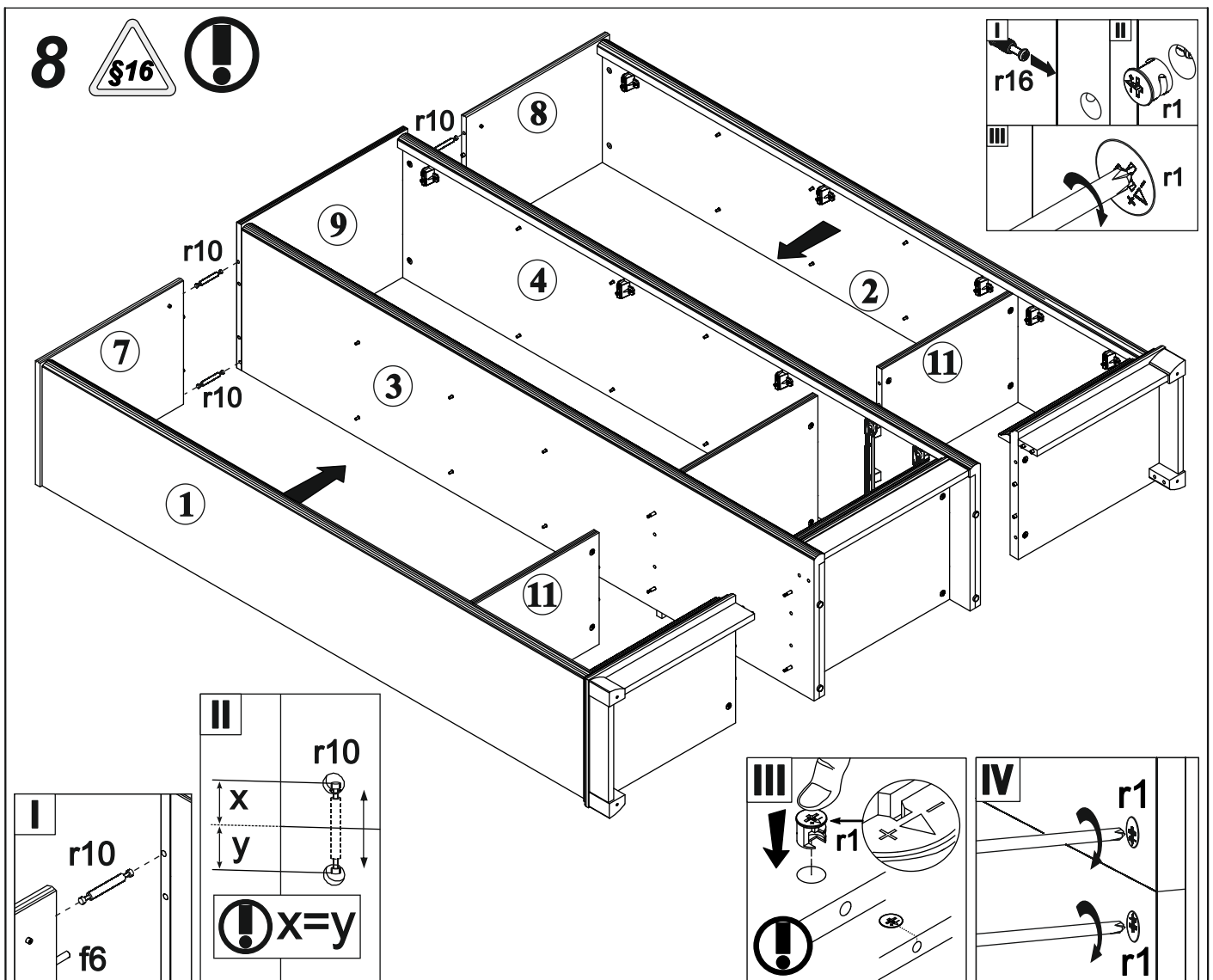
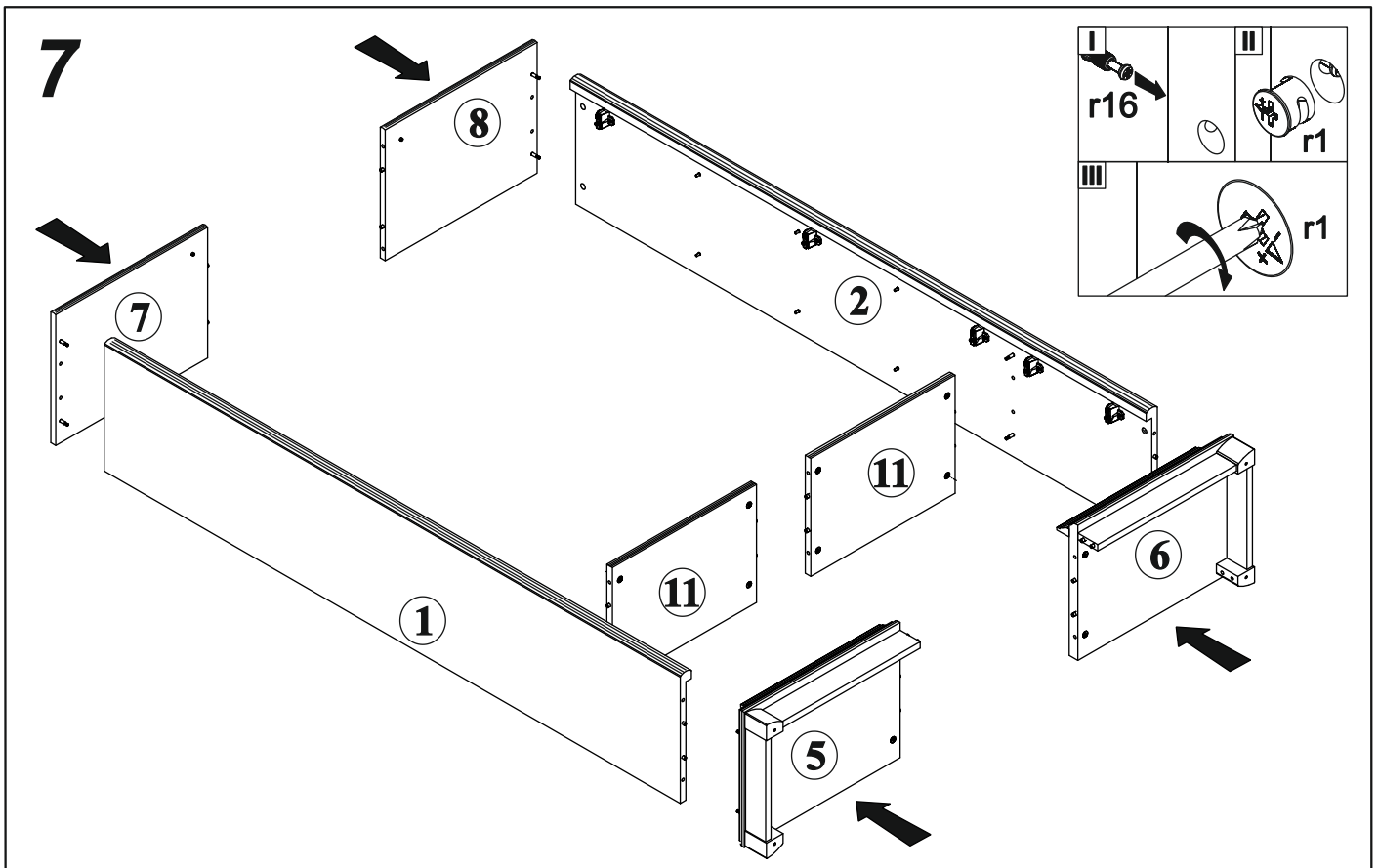
§11

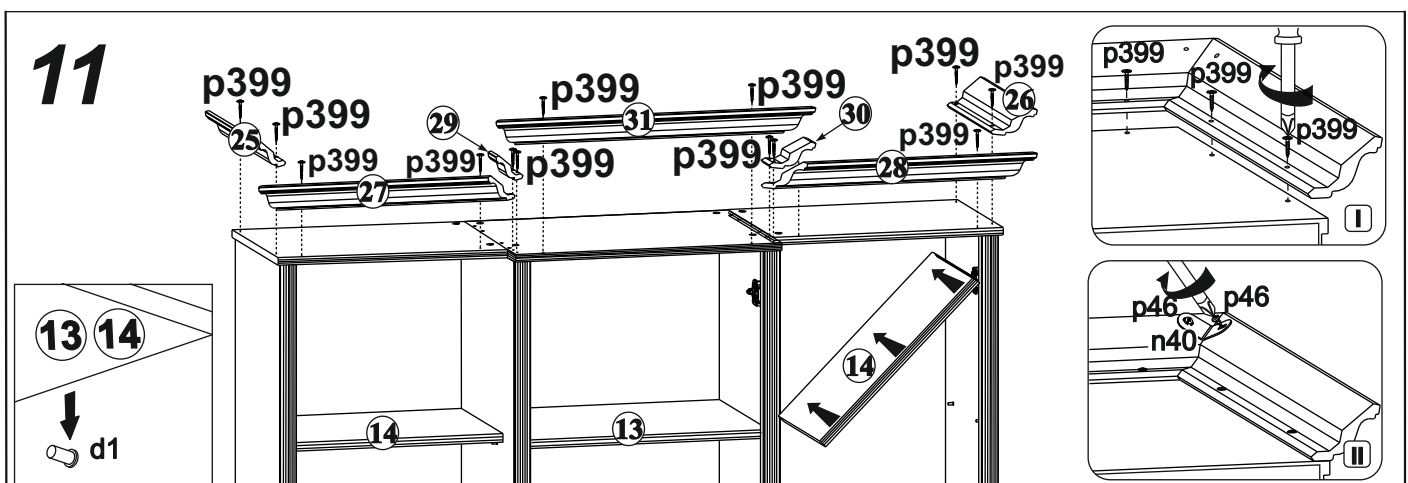
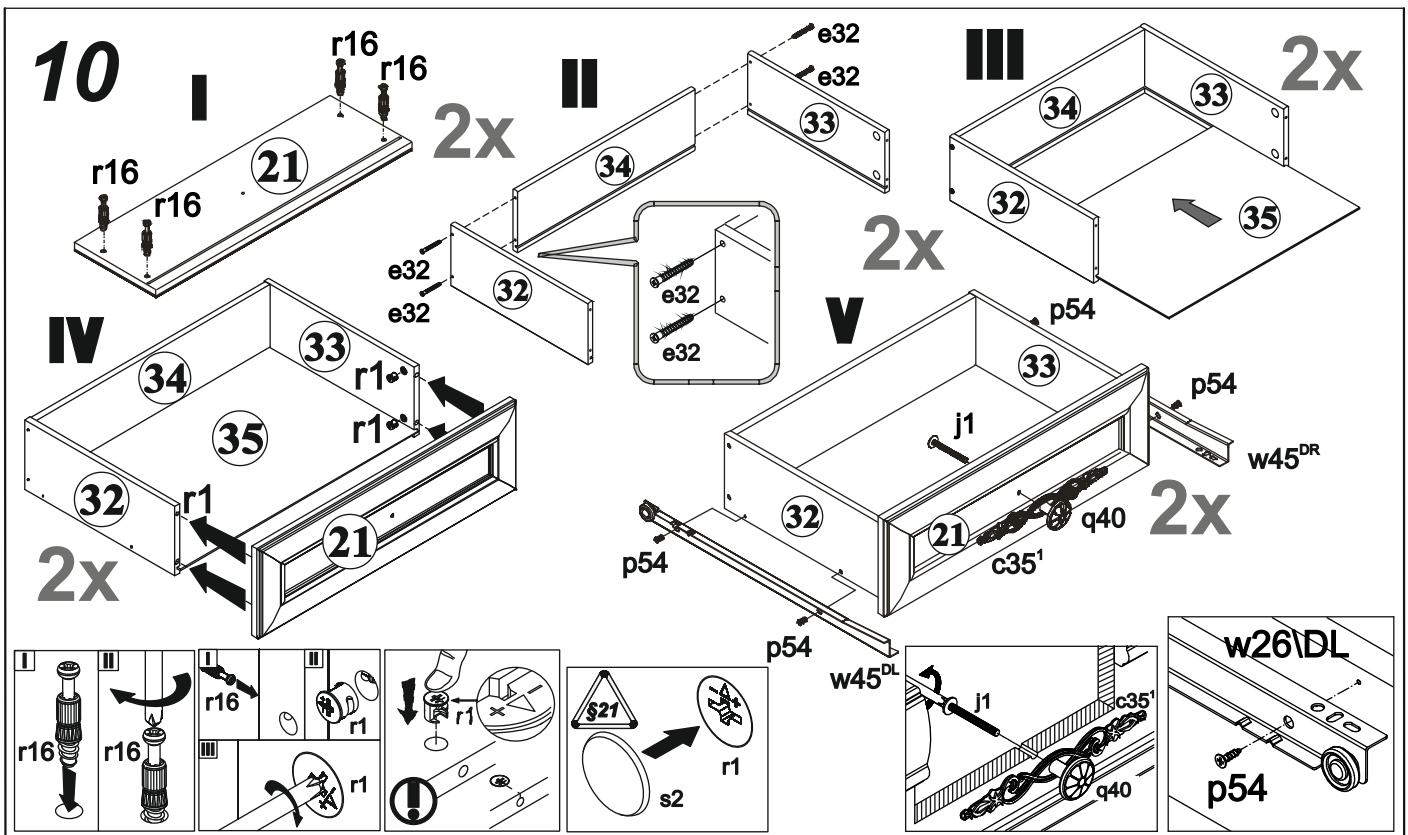
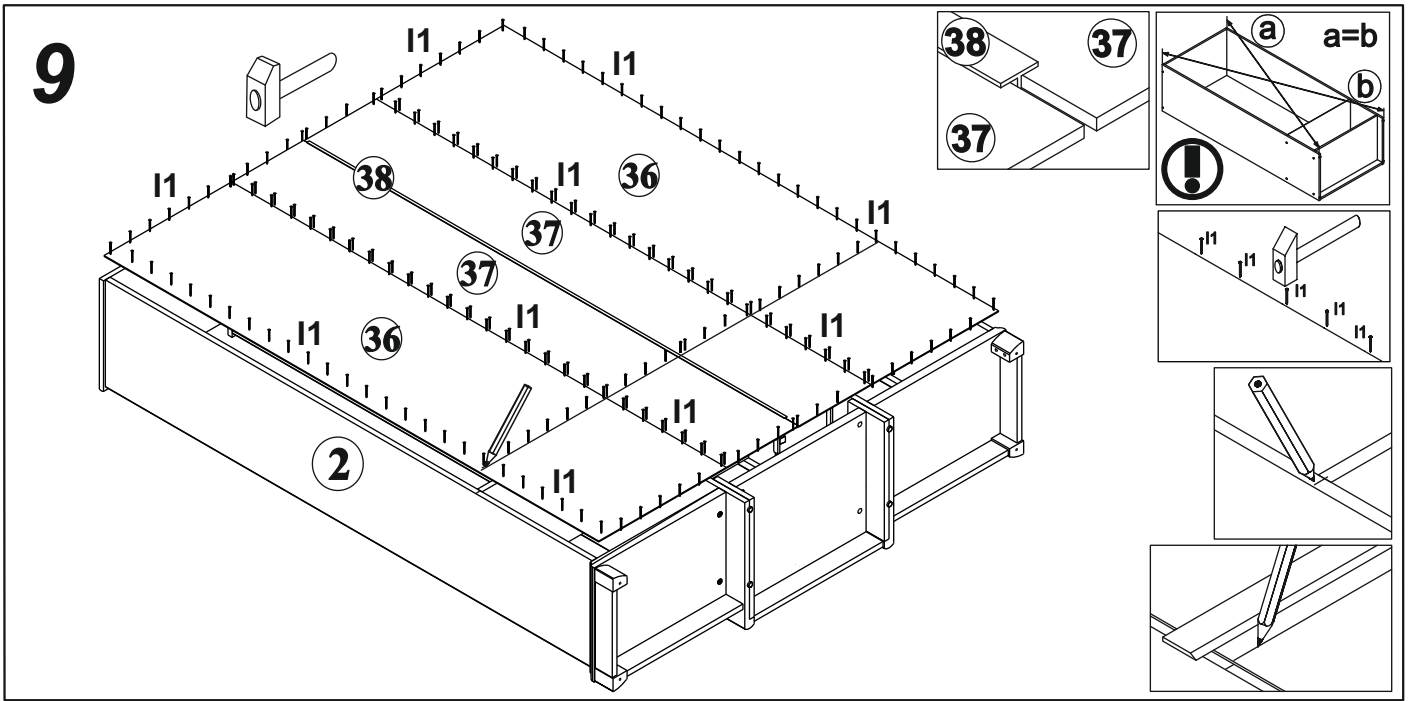


4

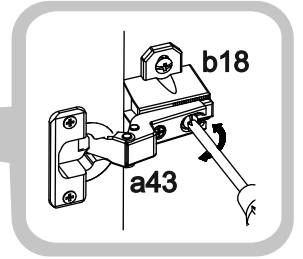
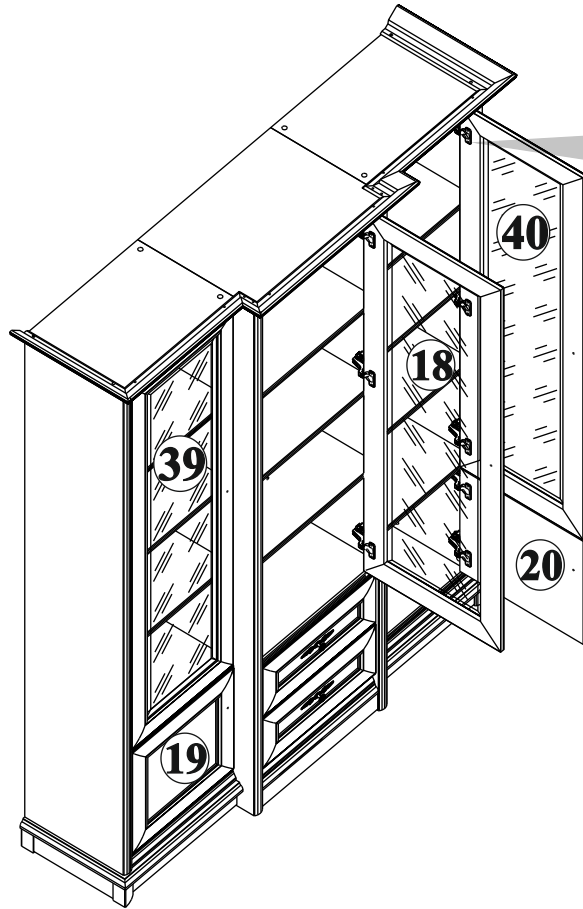
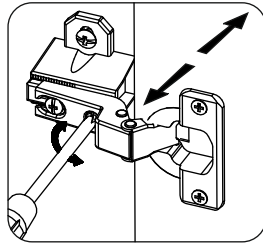
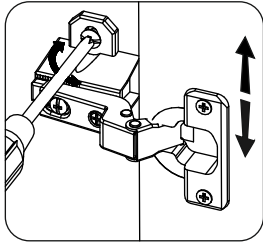
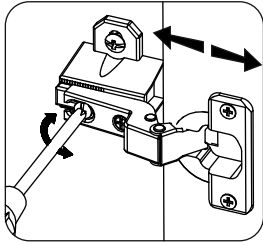


5**6**





12



13

