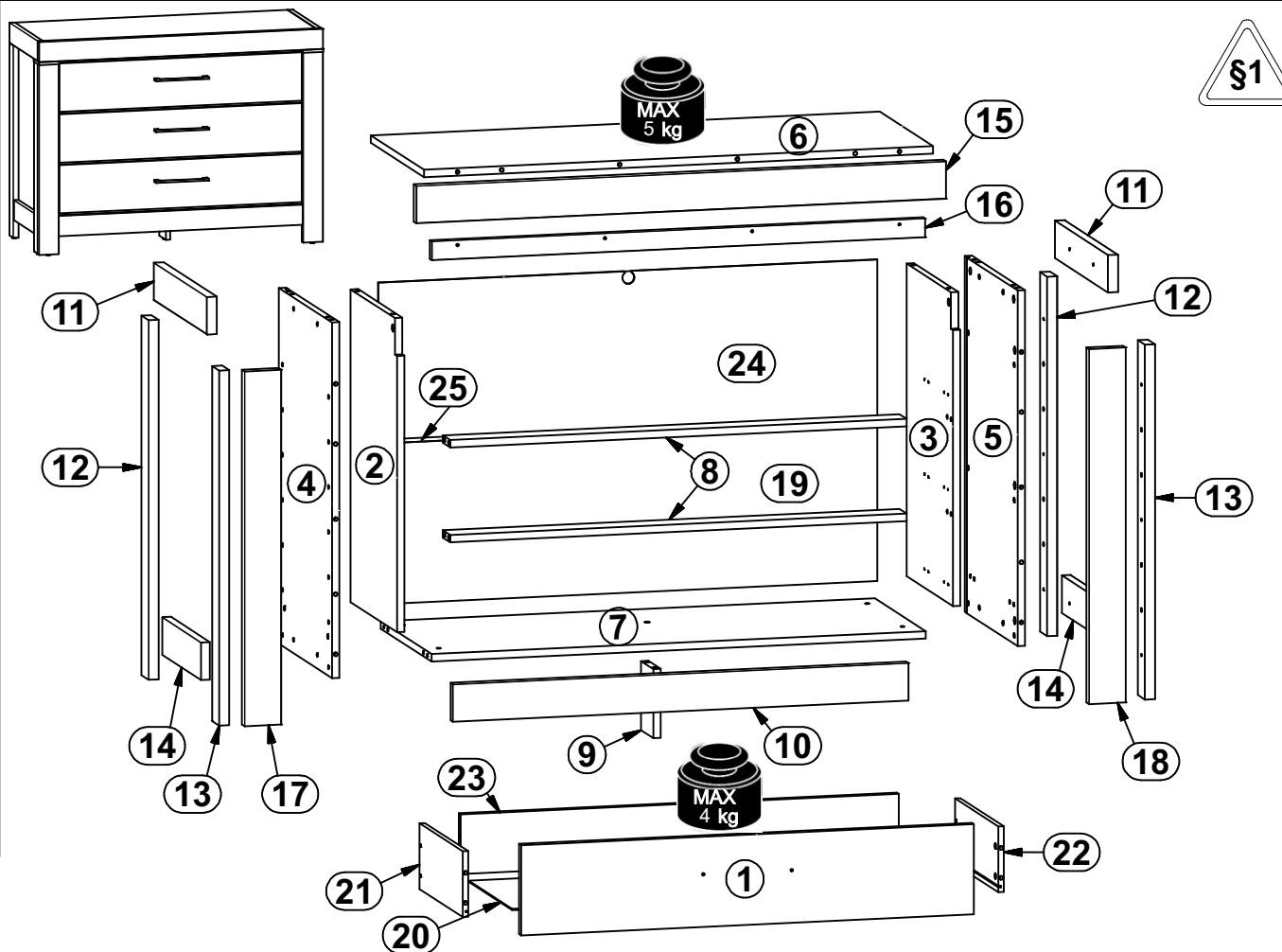
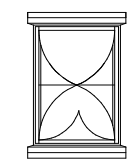


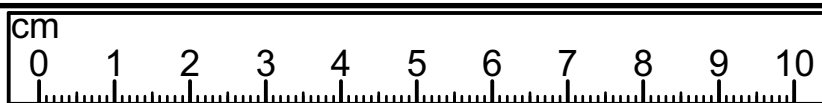
n 10 mm



| A | B | C (mm) | | D |
|----|------------|--------|-----|-----|
| 1 | S228-0012A | 984 | 192 | 1/2 |
| 2 | S228-121A | 666,5 | 376 | 2/2 |
| 3 | S228-122A | 666,5 | 376 | 2/2 |
| 4 | S228-123 | 758 | 431 | 2/2 |
| 5 | S228-124 | 758 | 431 | 2/2 |
| 6 | S228-2208 | 1106 | 431 | 1/2 |
| 7 | S228-3325 | 1074 | 411 | 1/2 |
| 8 | S228-4408 | 978 | 60 | 1/2 |
| 9 | S228-531 | 147 | 100 | 2/2 |
| 10 | S228N-5511 | 990 | 80 | 1/2 |
| 11 | S228N-5539 | 431 | 80 | 2/2 |
| 12 | S228N-5540 | 766 | 58 | 2/2 |
| 13 | S228N-5541 | 756 | 58 | 1/2 |
| 14 | S228N-5542 | 315 | 80 | 1/2 |
| 15 | S228N-5543 | 1151 | 80 | 1/2 |
| 16 | S228N-5544 | 1072 | 60 | 1/2 |
| 17 | S228N-5545 | 756 | 80 | 1/2 |
| 18 | S228N-5546 | 756 | 80 | 1/2 |
| 19 | S228-957 | 1084 | 342 | 1/2 |
| 20 | S228-9976A | 930 | 350 | 1/2 |
| 21 | S228-504N | 350 | 140 | 2/2 |
| 22 | S228-505N | 350 | 140 | 2/2 |
| 23 | S228-506N | 930 | 140 | 1/2 |
| 24 | S228-959 | 1084 | 342 | 1/2 |
| 25 | Lh-1044 | 1044 | 14 | 1/2 |

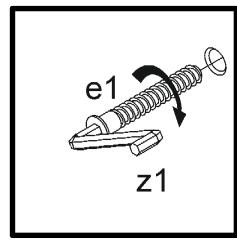
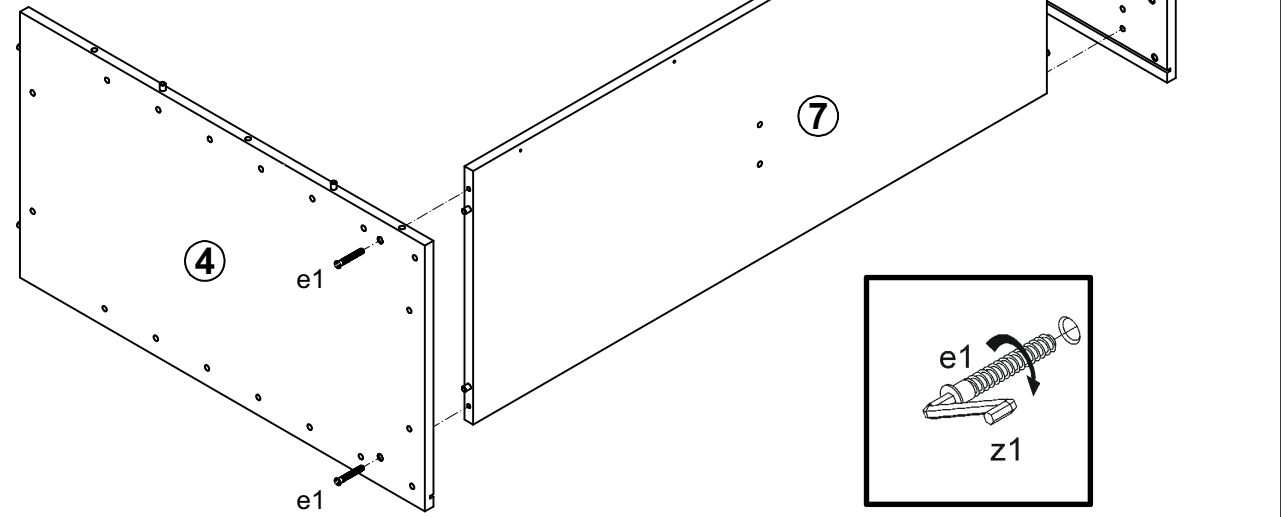
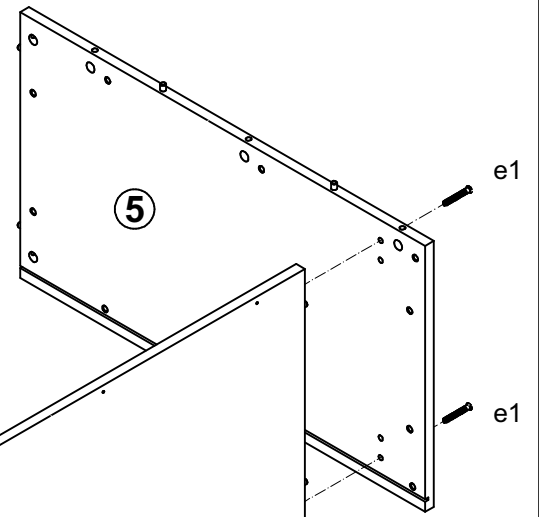
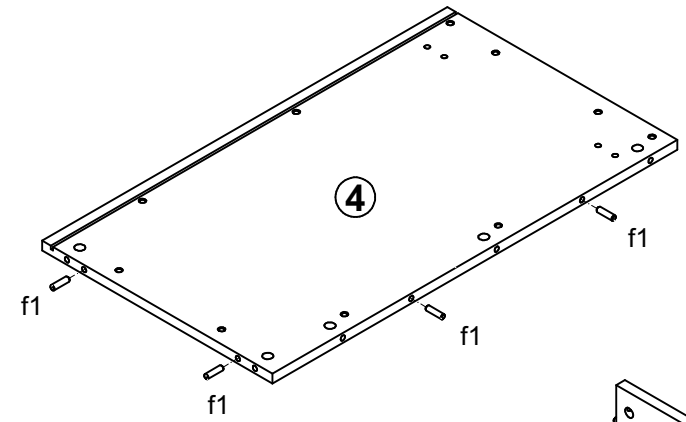
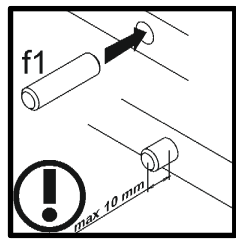
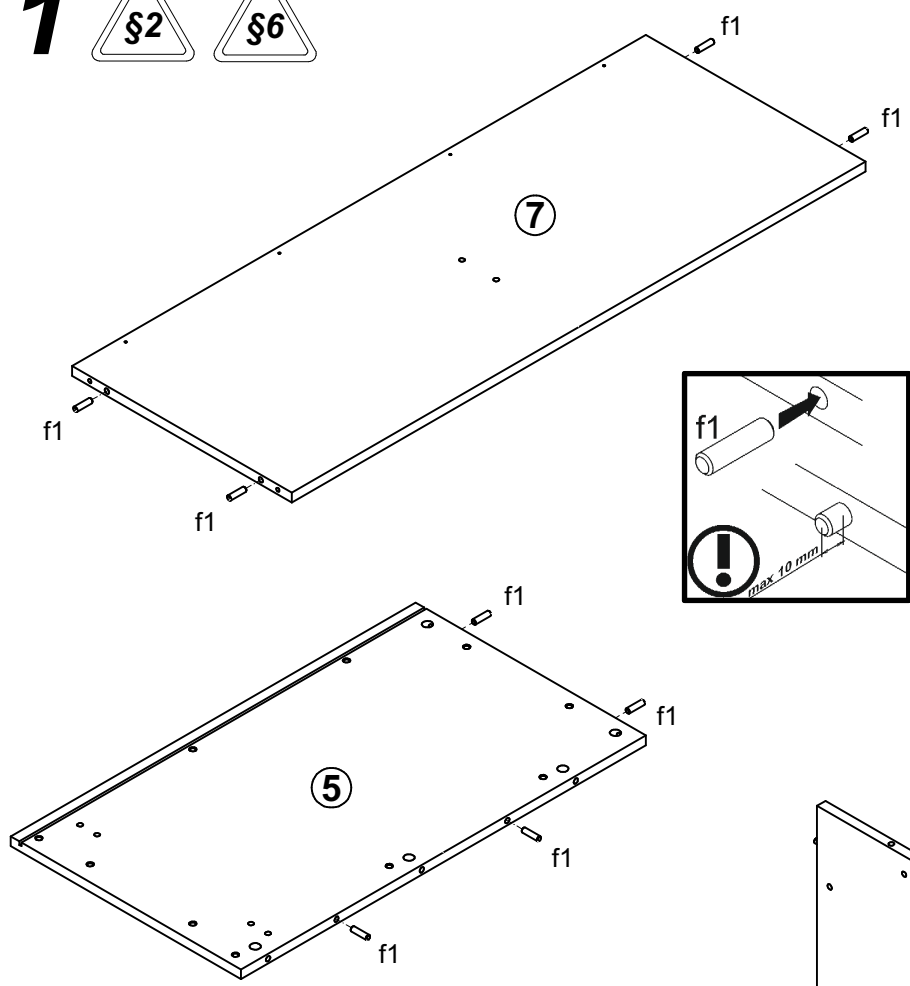


90 min

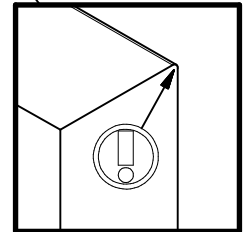
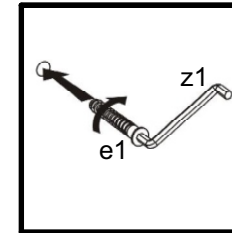
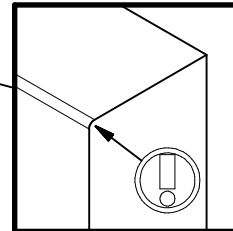
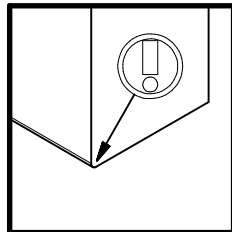
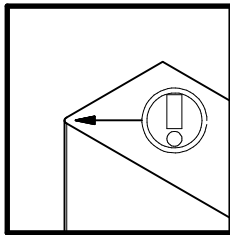
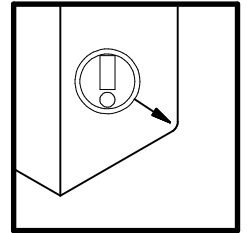
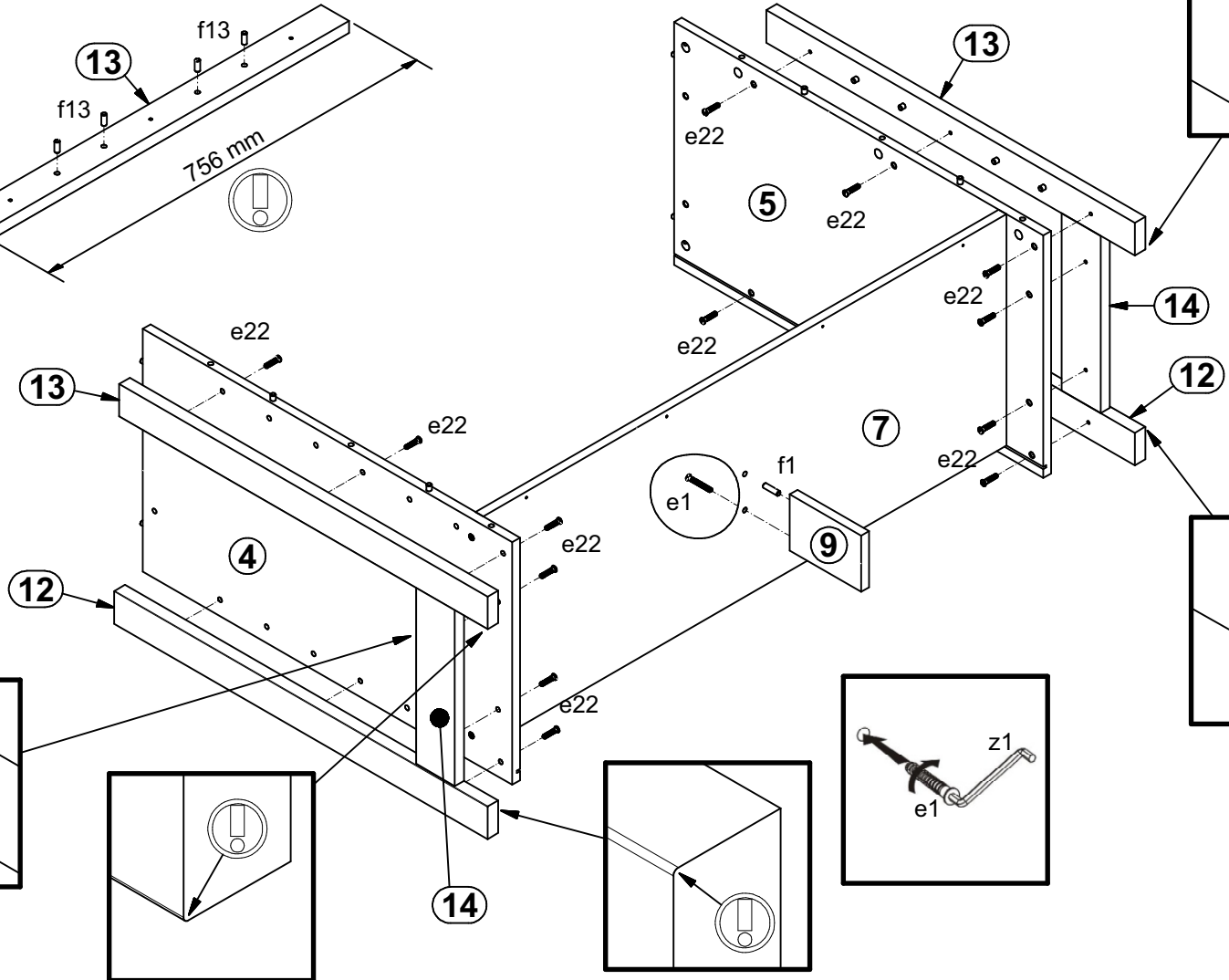
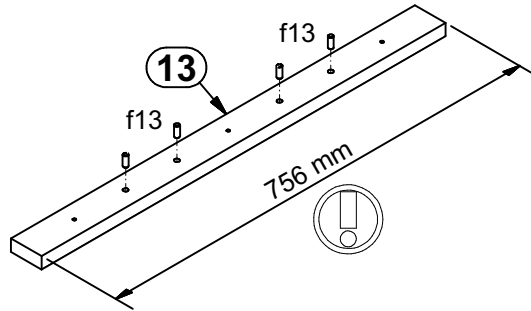
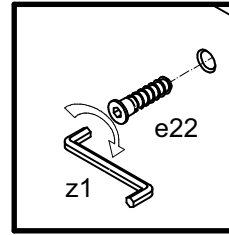
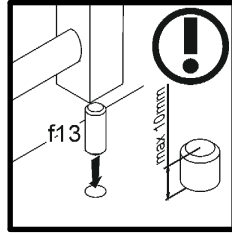
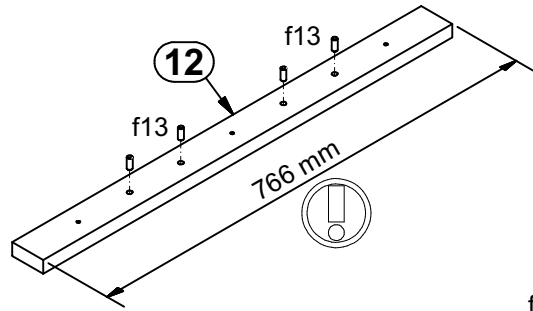


| | | | | | | | | | | | | |
|------------------------|-----------------------------|-----------------------|-------------------------|---------------------------|-------------------------|-------------------------|--------------------------|------------------------|-----------------------------|---------------------|---------------------|-----------|
| 3x 192 mm c280/1 | 4x d36 | 5x Ш7x50 mm e1 | 20x Ш7x28 mm e22 | 18x Ш6x13 mm e3 | 31x Ш8x30 mm f1 | 16x Ш8x20 mm f13 | 12x Ш6,5x40 mm f25 | 1x Ш11x50 mm f35 | 6x M4x22 mm j30 | 7x k1 | 2x k101 | 10x l1 |
| 12x l2 | 1x 86x21x15/1,5 n14/2 | 1x Ш5x60 mm p17 | 6x Ш3,5x16 mm p25 | 18x φ3,5x12 mm p140 | 2x Ш8,5x16 mm p38 | 8x Ш8,5x15 mm p51 | 4x Ш8,5x20 mm p79 | 4x Ш4x25 mm p8 | 26x Ш1,5x12 mm #16 r1 | 26x 20/11 r42 | 3x 333 mm t19 | 1x z1 |
| 6x 350 mm w207/1 | 6x 350 mm w207/2 | | | | | | | | | | | |

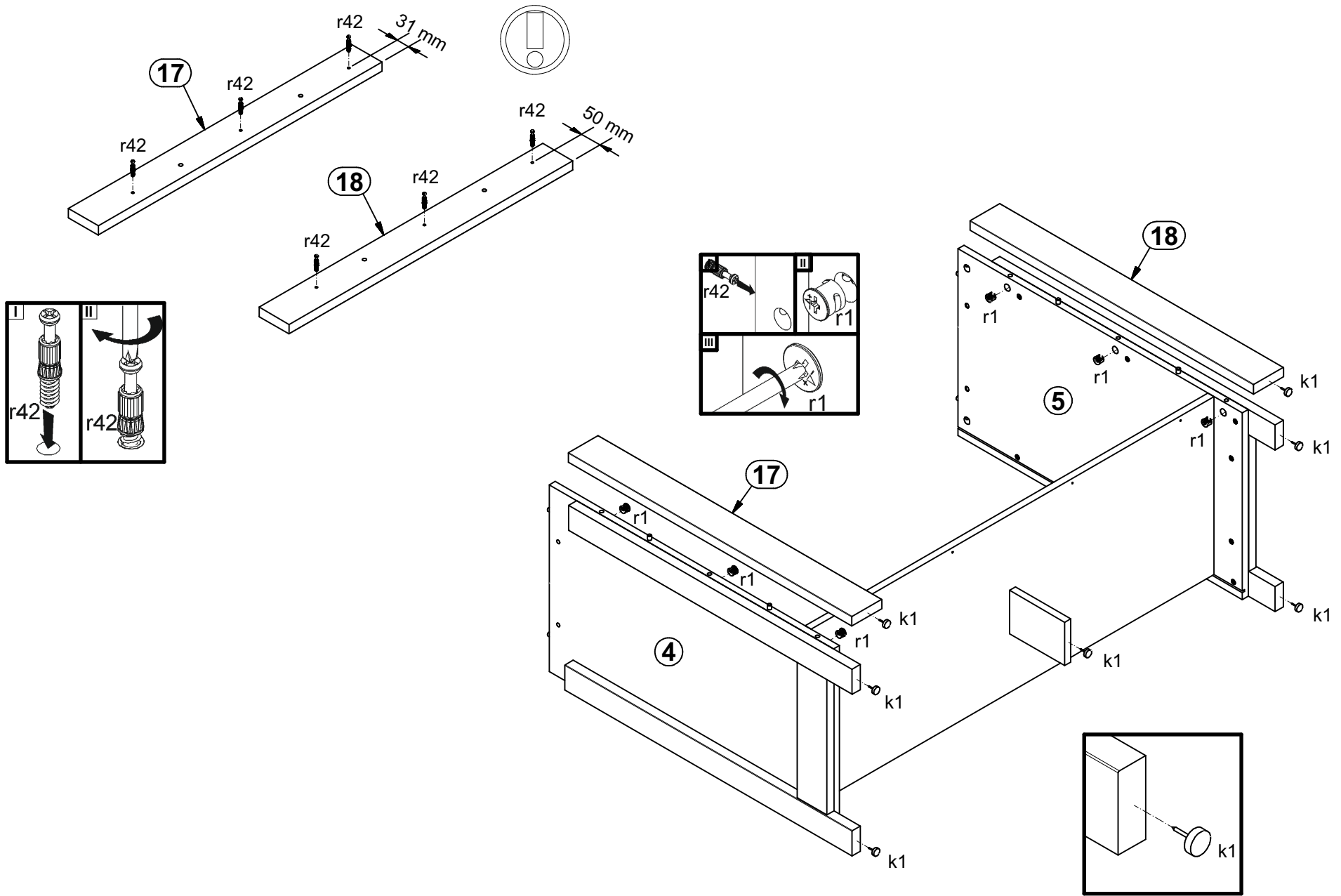
1



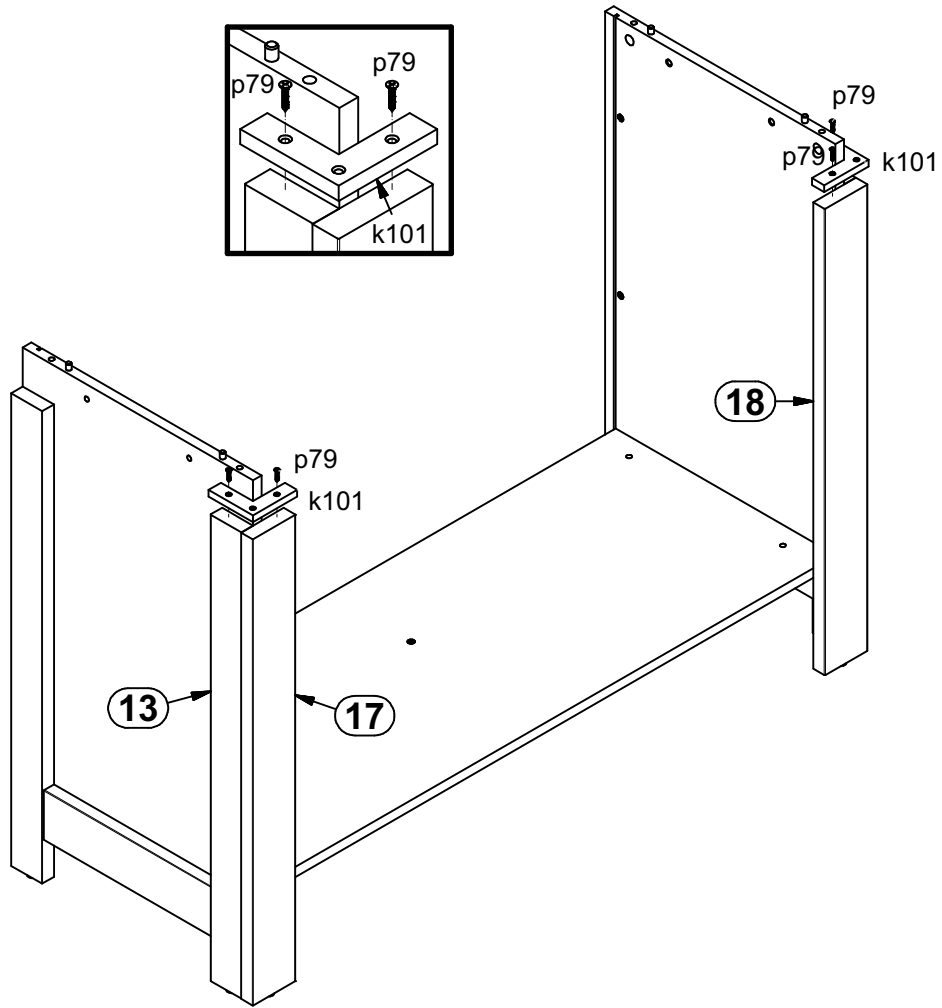
2



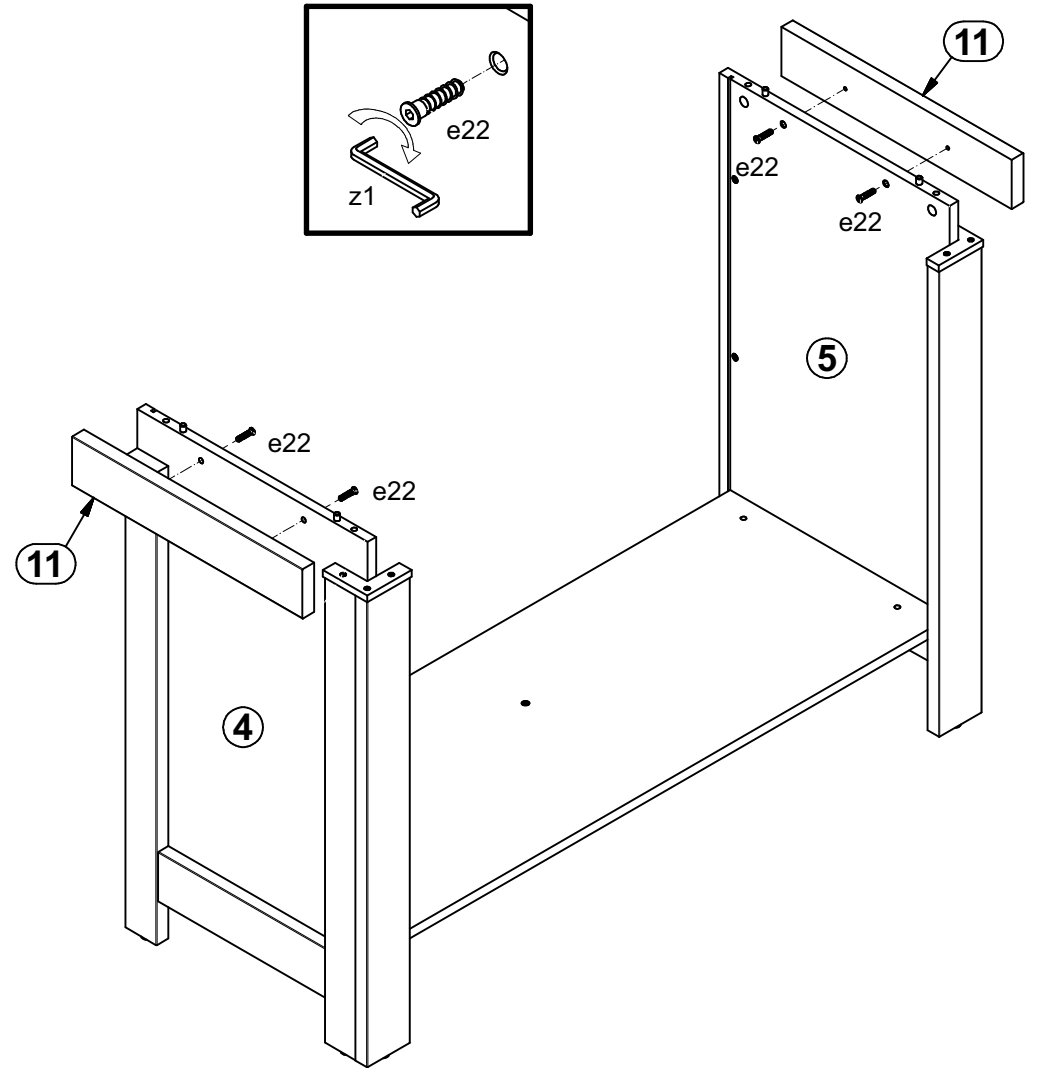
3



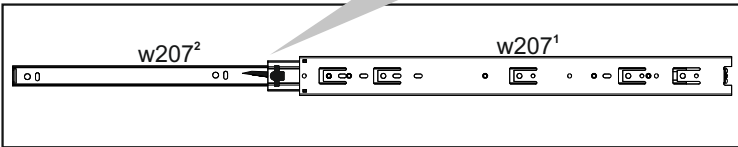
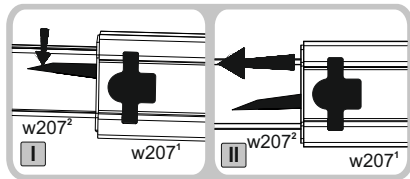
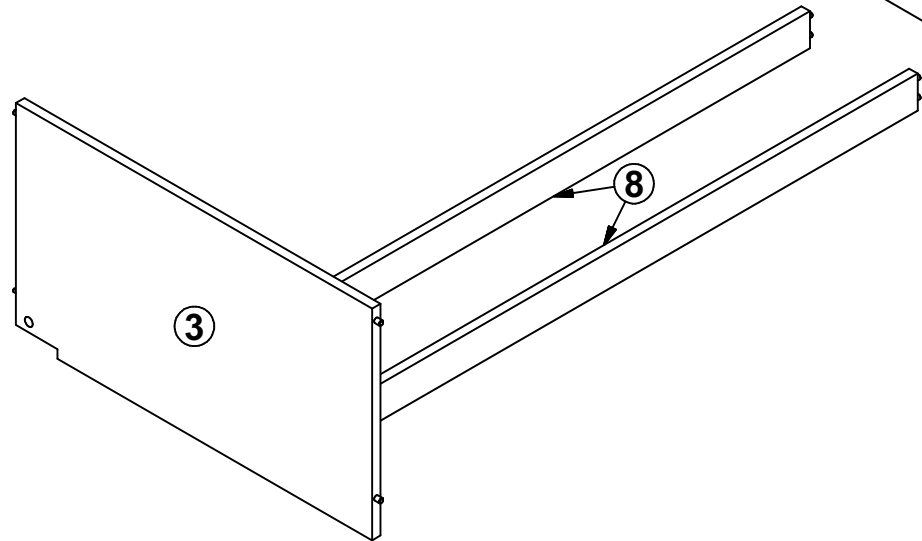
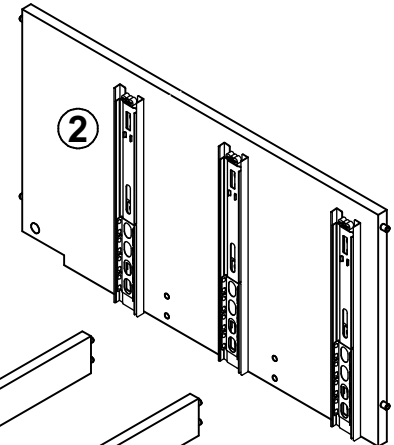
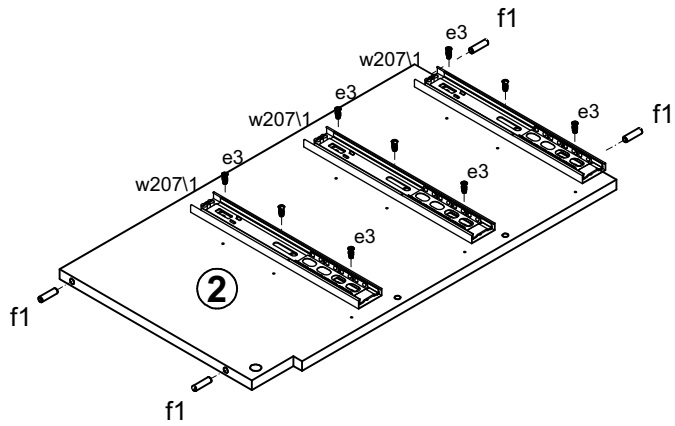
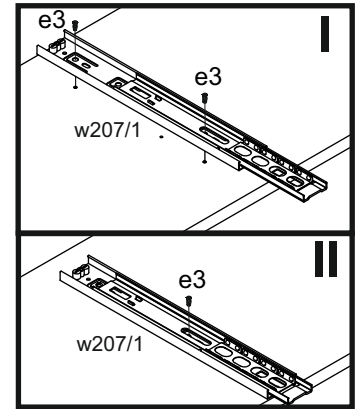
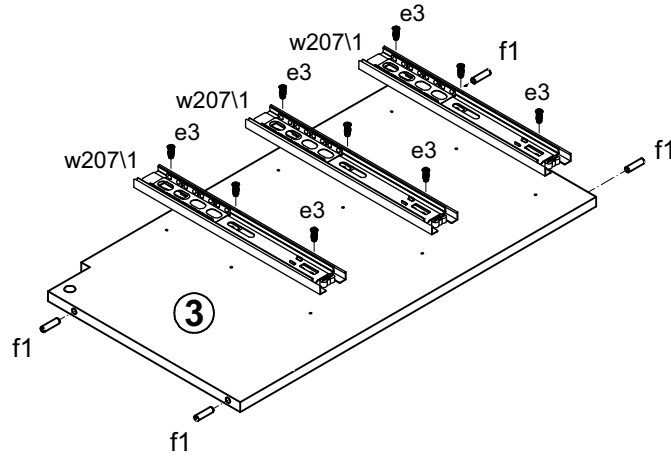
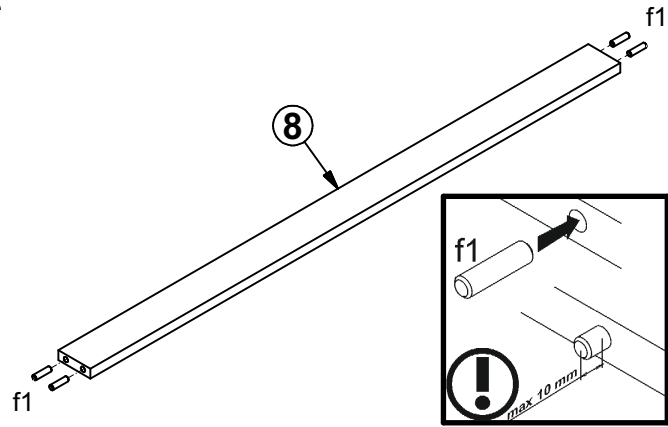
4



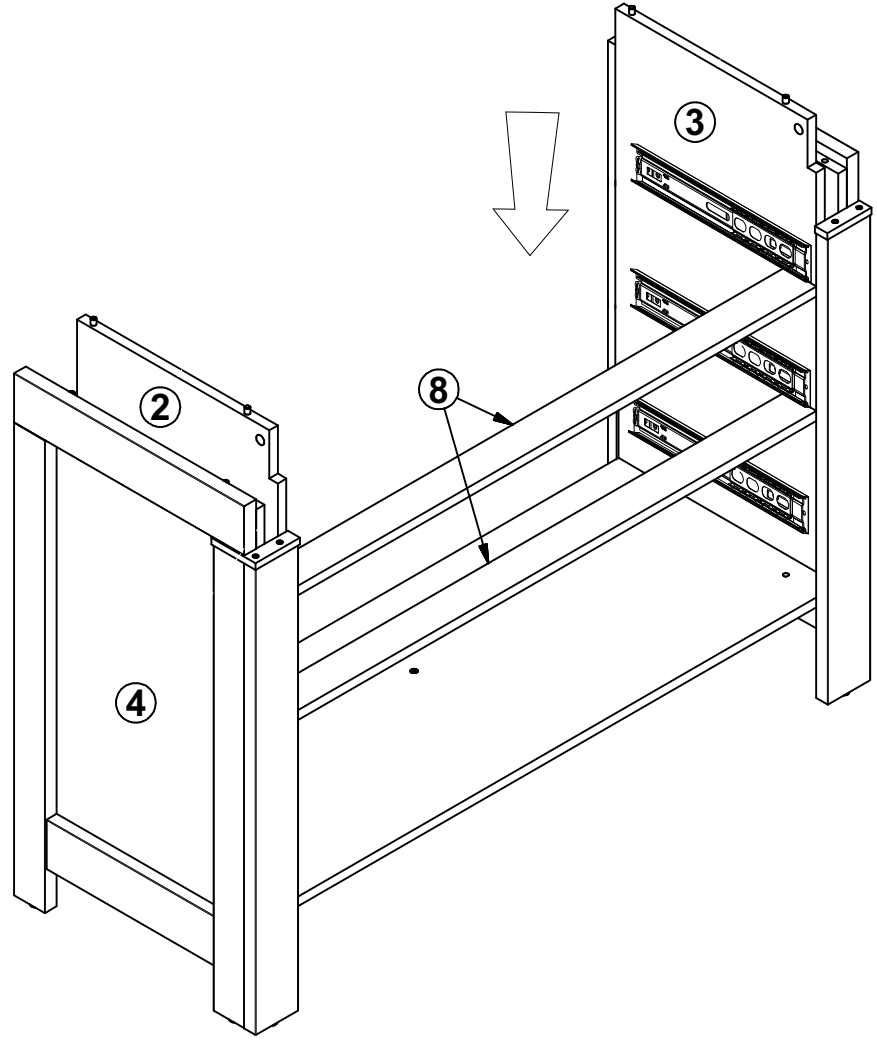
5



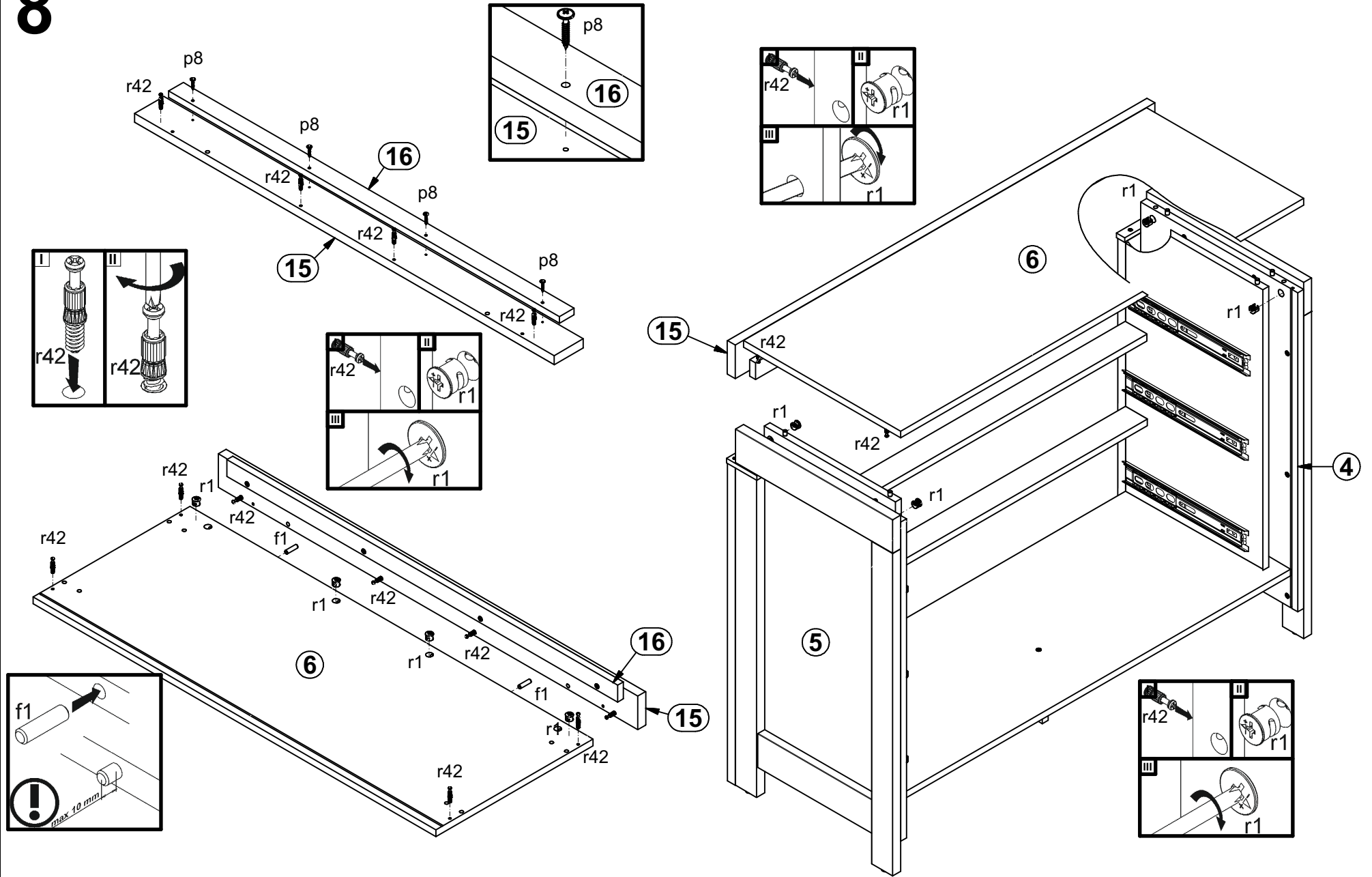
6



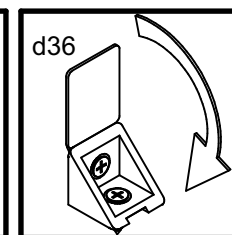
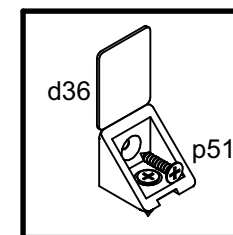
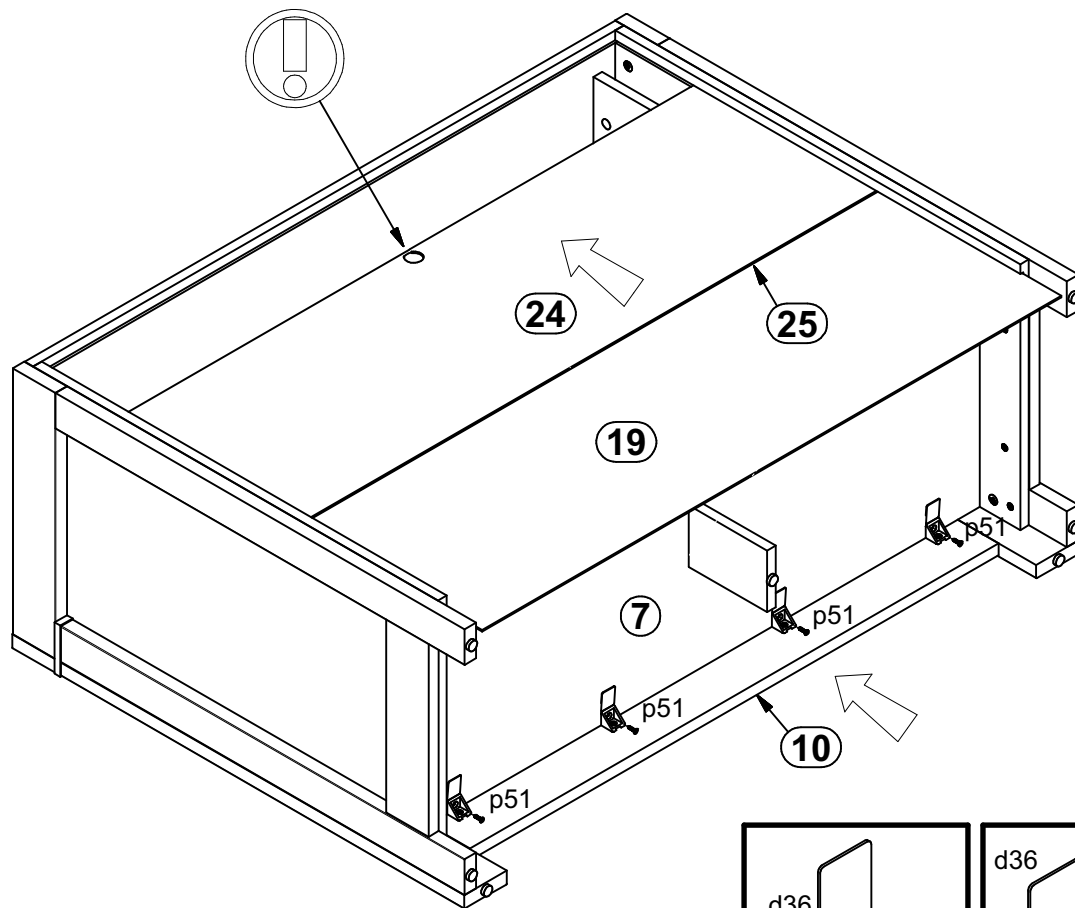
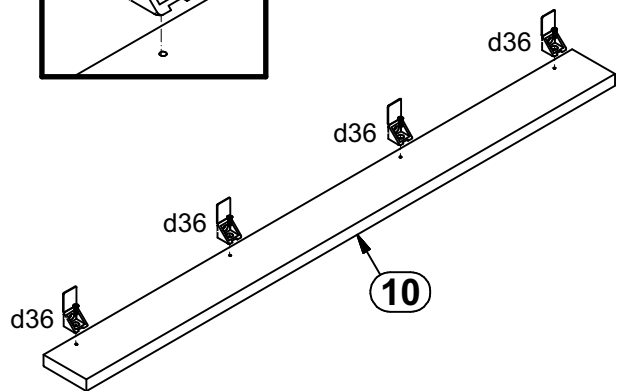
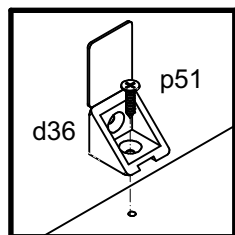
7



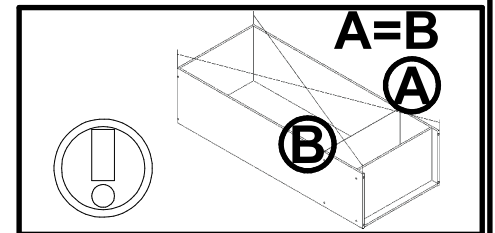
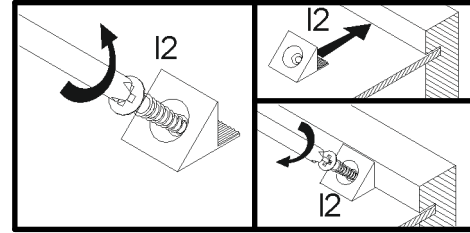
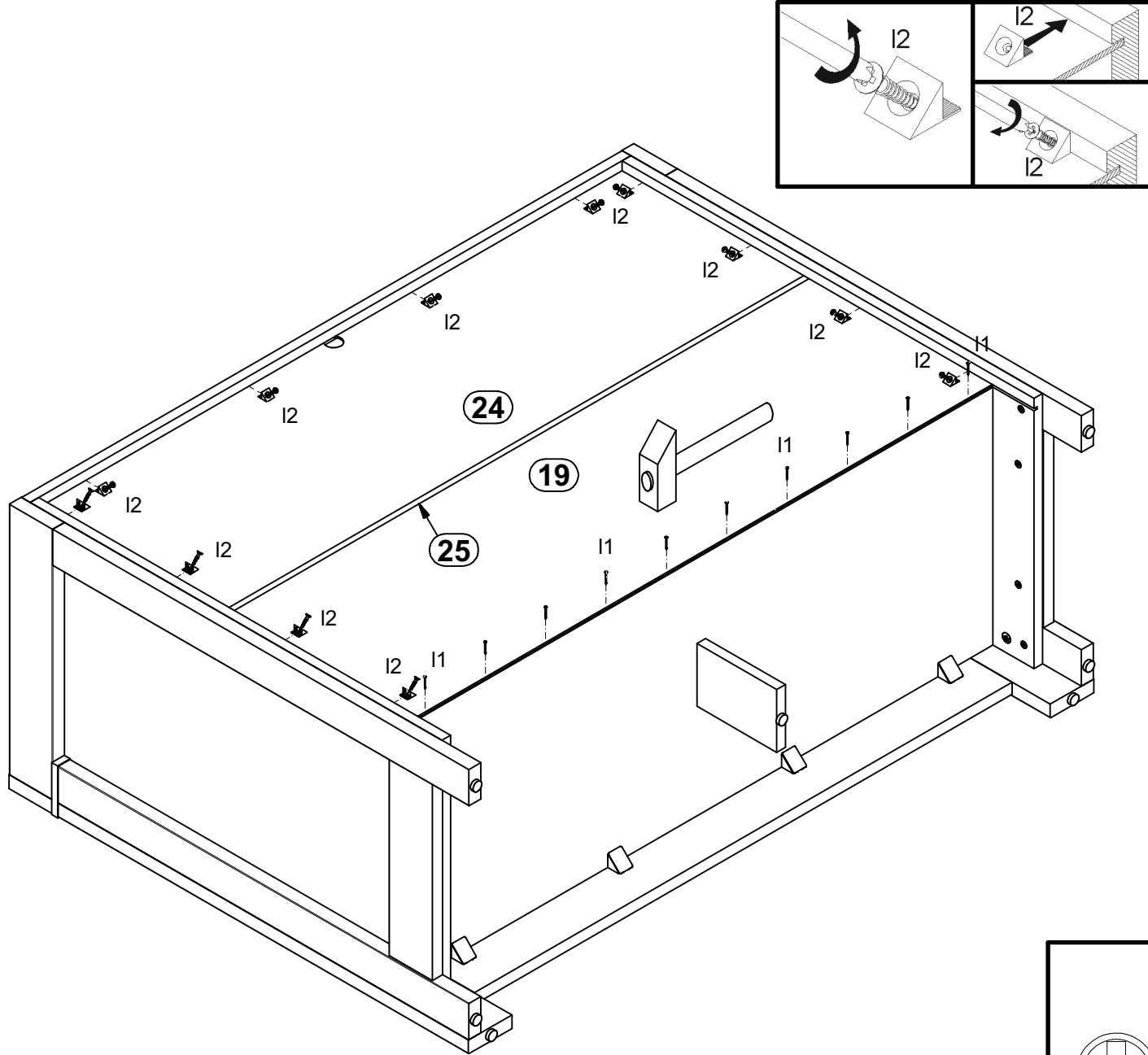
8



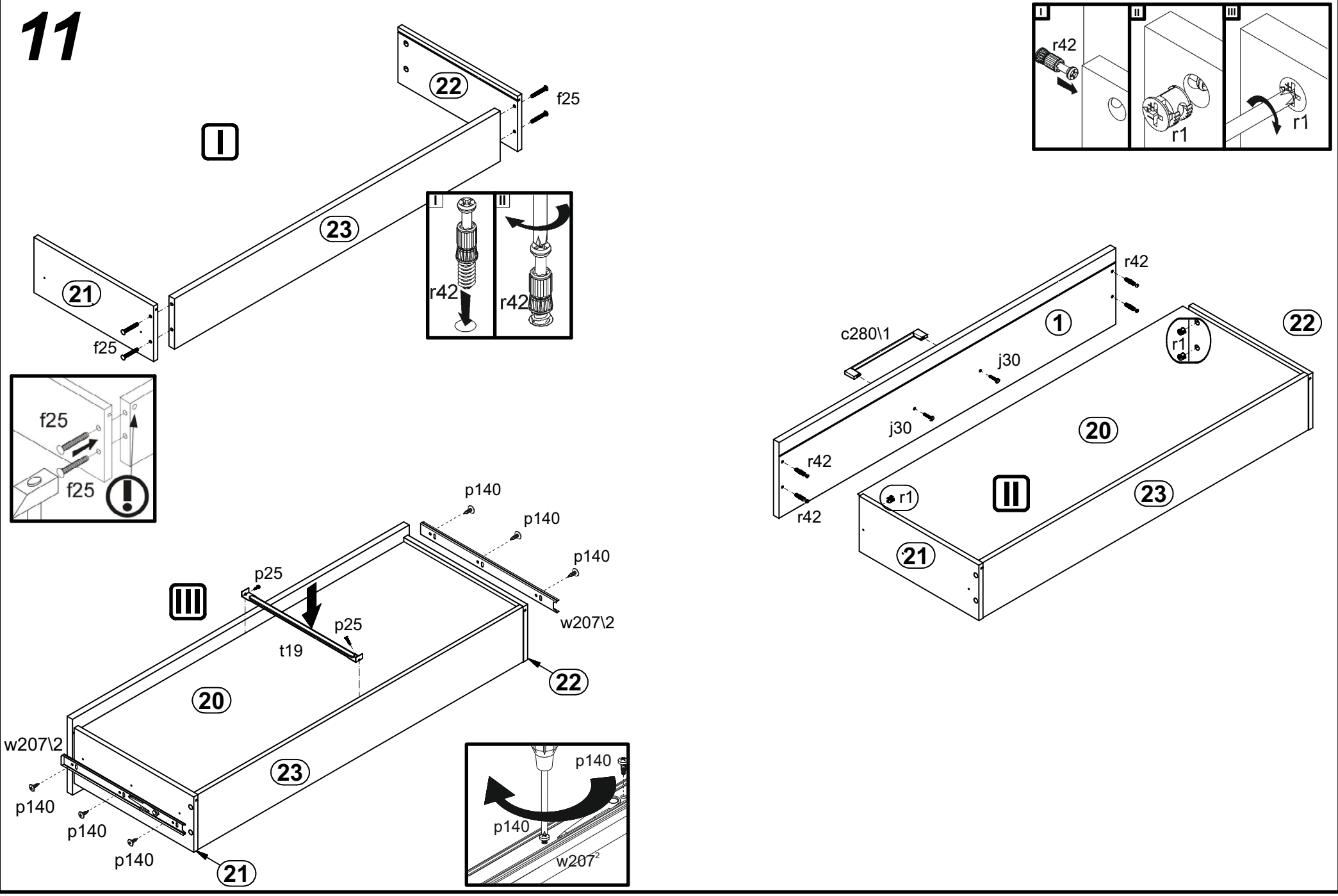
9



10



11



12

